

STEP 4



- 1.Ensure that the Valve (part J) is fully open, before starting Pump
- 2.Adjust the valve until the Skimmer water level is between the Skimmer's Neck and just below the Collection Cup
- 3.A New Skimmer will need a run-in period of 1-2 weeks before stabilising. During this time, please monitor water level to prevent overflowing into the Collection Cup.

① Valve

Maintenance

- Collection Cup: Collection Cup (part B) should be cleaned at least once every 7-10 days, depending on the organic waste collected.
- Skimmer body: It is recommended that you clean the Skimmer Body once every 3-6 months. Clean and Rinse off with fresh water only.
- Silencer: It is recommended to clean the silencer once every 2-3 months to prevent blocking.
- Pump: It is recommended to clean the Pump once every 3-6 months. Check and Clean the Impeller, and if necessary soak the Pump and Impeller in White Vinegar to dissolve stubborn calcium deposits

Safety Tips

- Check the voltage shown on the label of the Pump corresponds to the voltage of the main supply
- Never allow the Pump to run dry
- Do not touch the Socket with wet hands
- Do not clean the Skimmer with any cleaning agents

HONYA CO., LTD is committed to continuous product development, we hereby reserve the right to revise the product specifications or designs without prior notice.

For any further enquiry/assistance and latest product updates,

Please Visit at www.reefoctopus.com.



Classic-S

Instruction Manual

Classic 110-S
Classic 150-S

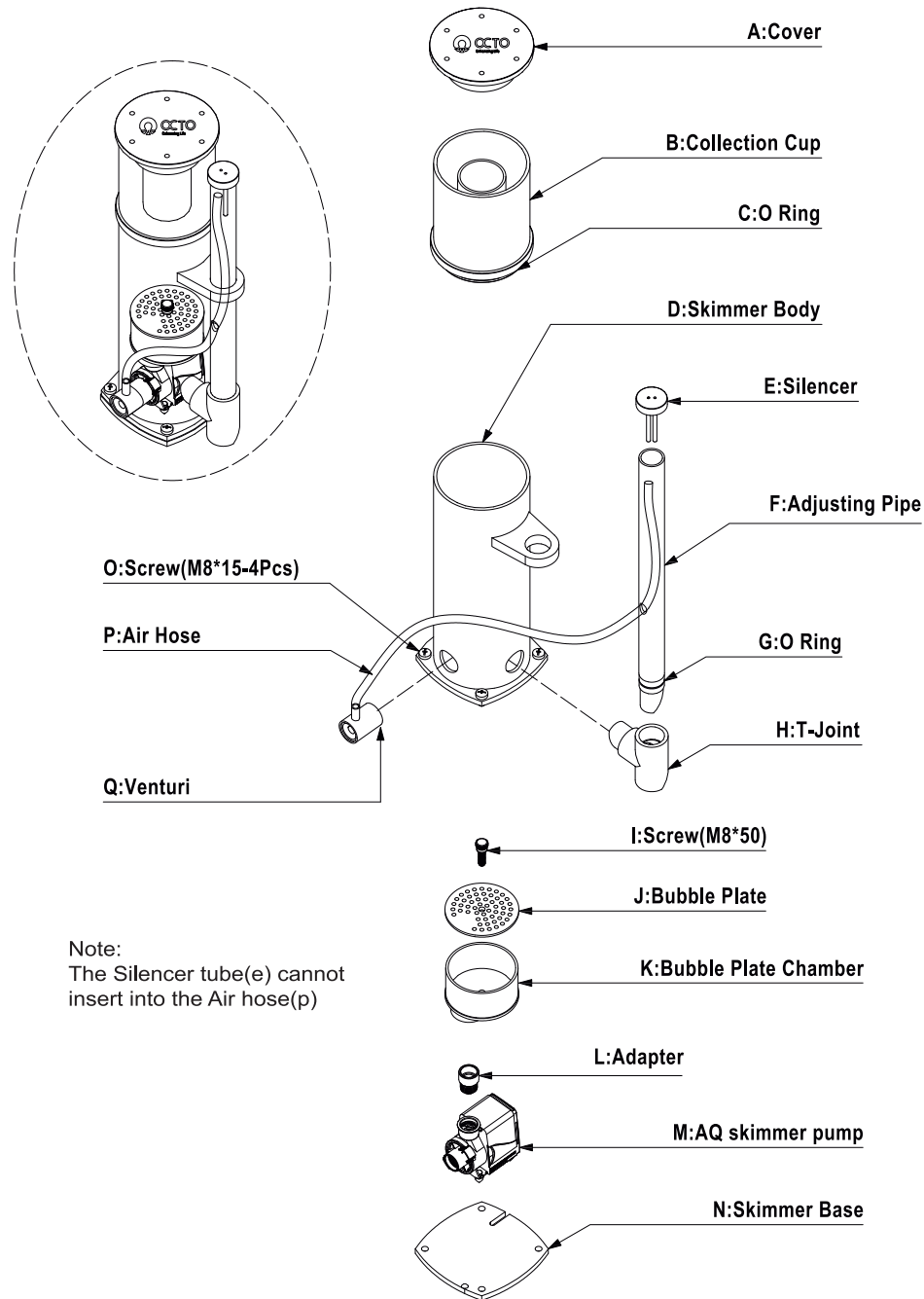
Classic 152-S
Classic 202-S



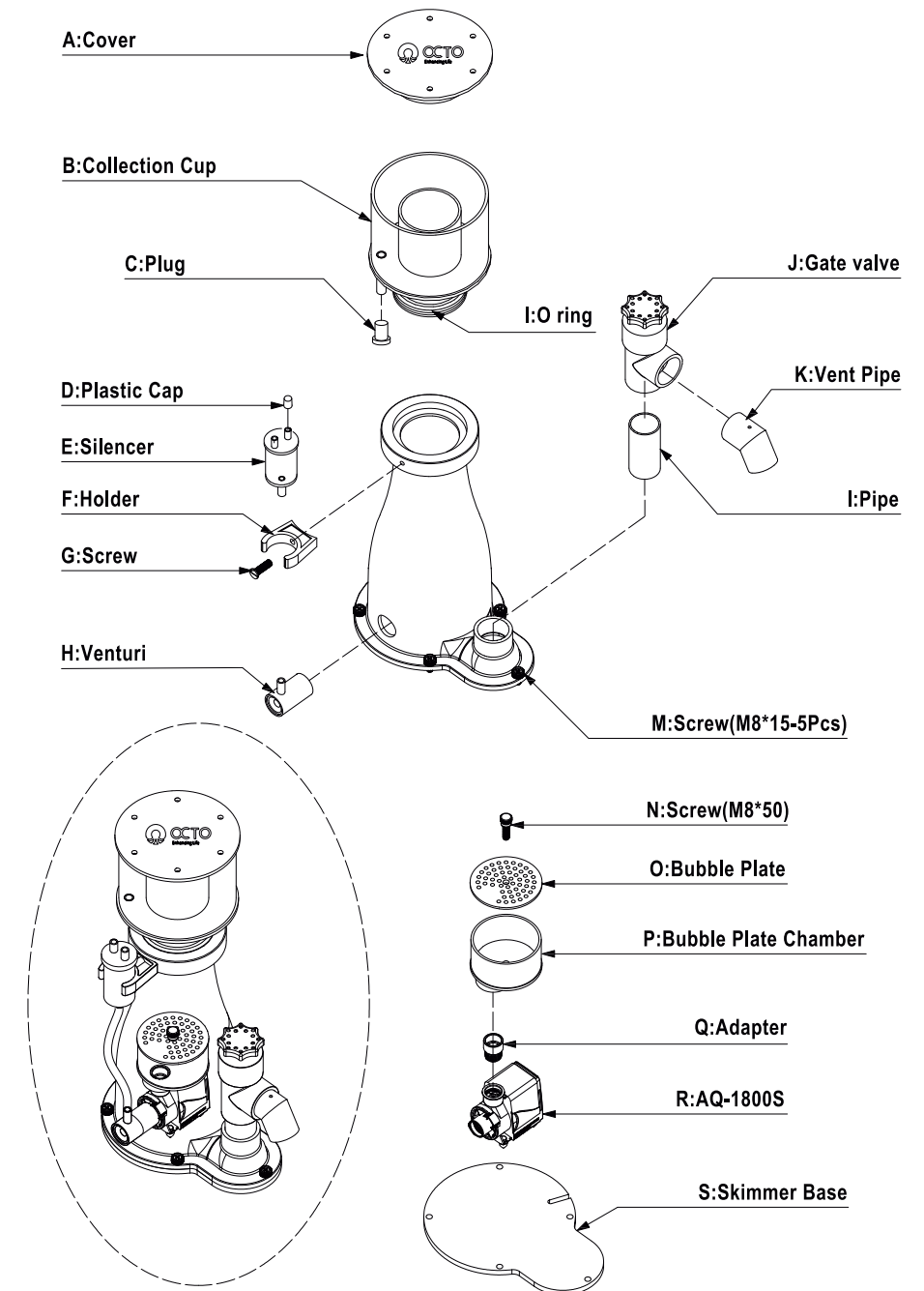
Product specification

Item No.	Product	Fit Pump	Cup Diameter		Footprint		Height		Output Size	Tank Volume		Recommended sump water level	
			mm	inch	mm	inch	mm	inch		mm	L	US Gal	cm
120101	Classic 110-S	AQ-1000S	120	4.7	200*155	7.9*6.1	485	19.1	32	500	132	18-20	7.0-7.9
120102	Classic 150-S	AQ-2000S	150	5.9	240*185	9.5*7.3	530	20.9	40	800	211	20-22	7.9-8.7
120103	Classic 152-S	AQ-1800S	150	5.9	265*205	10.4*8.1	525	20.7	40	600	158	20-22	7.9-8.7
120104	Classic 202-S	AQ-3000S	200	7.9	315*255	12.4*10	590	23.2	40	1000	264	20-22	7.9-8.7

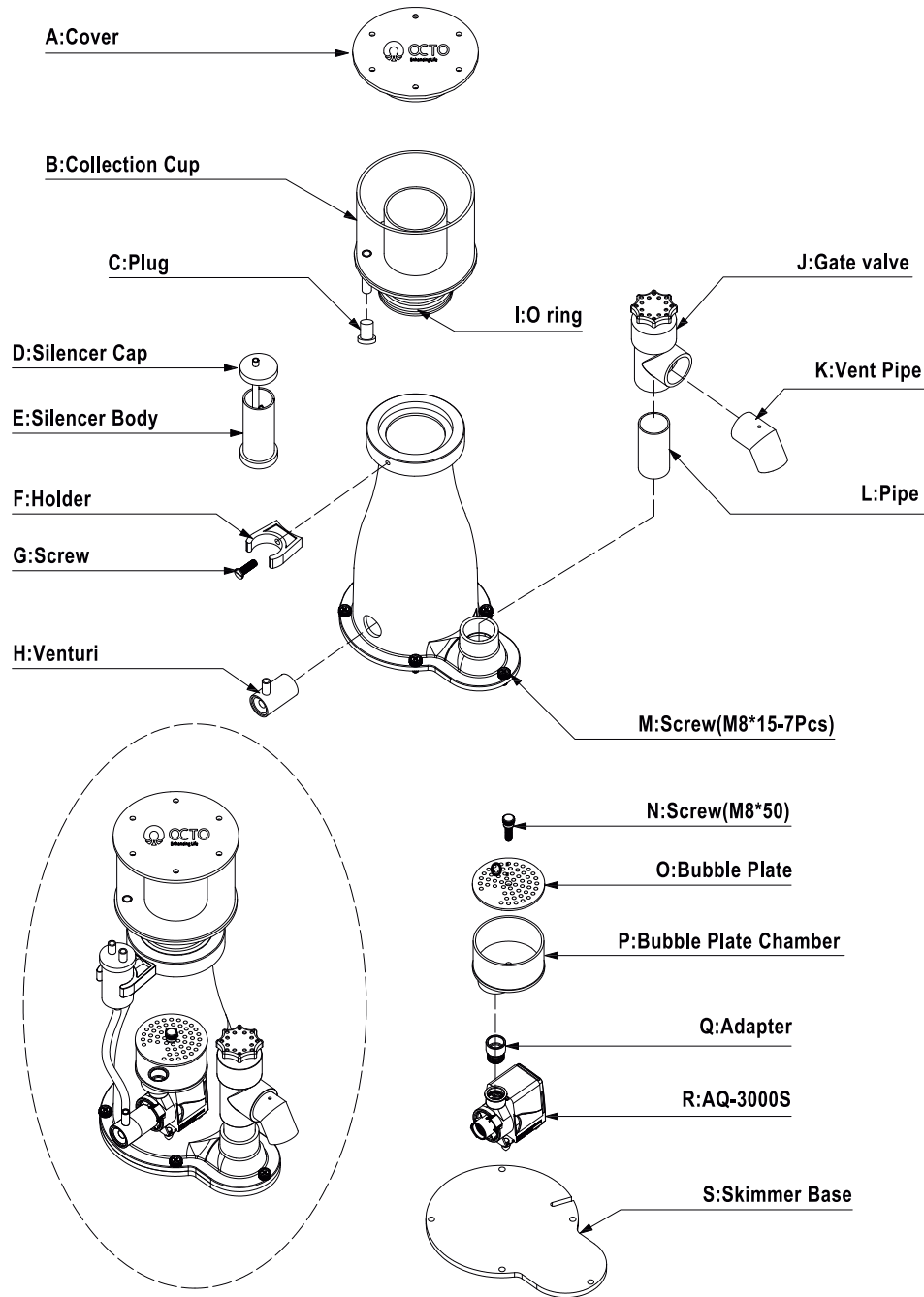
Explosion Chart for *Classic 110/150-S*



Explosion Chart for *Classic 152-S*

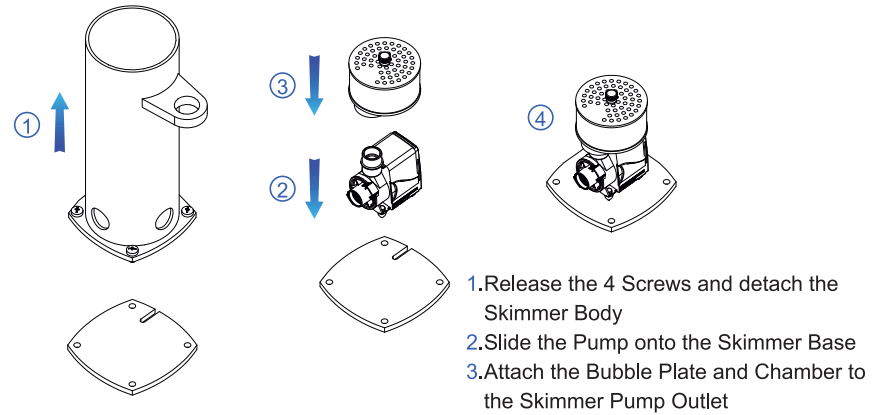


Explosion Chart for *Classic 202-S*

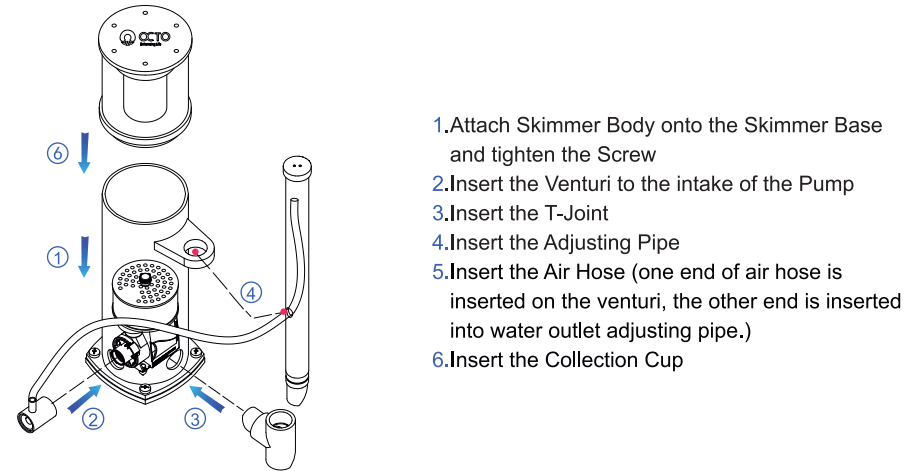


Assembly *Classic 110/150-S*

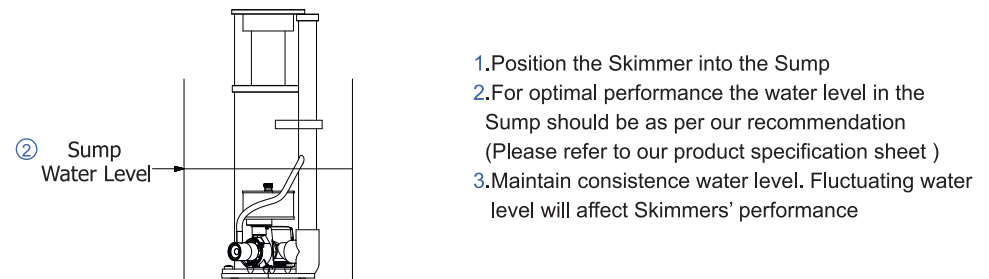
STEP 1



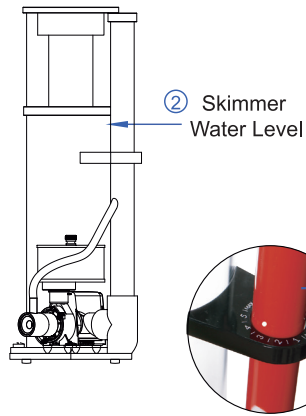
STEP 2



STEP 3



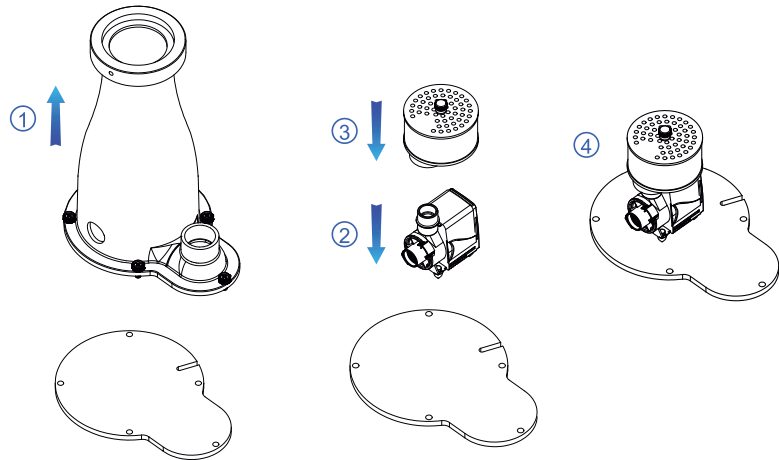
STEP 4



- 1.Ensure that the Adjustable Pipe (part F) is fully open, before starting Pump
- 2.Adjust the Adjustable Pipe until the Skimmer water level is between the Skimmer's Neck and just below the Collection Cup
- 3.A New Skimmer will need a run-in period of 1-2 weeks before stabilising. During this time, please monitor water level to prevent overflowing into the Collection Cup.

Assembly *Classic 152/202-S*

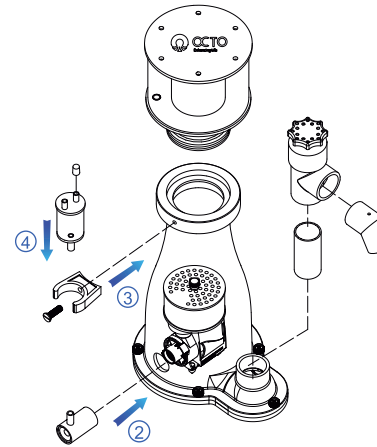
STEP 1



- 1.Release the Screw and detach the Skimmer Body
- 2.Slide the Pump onto the Skimmer Base
- 3.Attach the Bubble Plate and Chamber to the Skimmer Pump Outlet

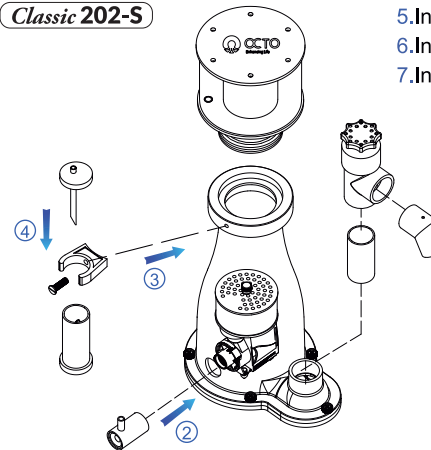
STEP 2

Classic 152-S



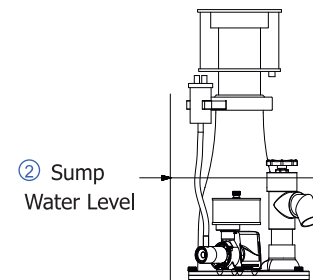
- 1.Attach the Skimmer Body onto the Skimmer Base and tighten Screws
- 2.Insert the Venturi to the intake of the Pump
- 3.Attach the Silencer Holder(Part F)
- 4.Slide the Silencer onto the Holder gently

Classic 202-S



- 5.Insert the Air Hose
- 6.Insert the Pipe/Gate Valve/Vent Pipe(Parts L/J/K)
- 7.Insert the Collection Cup

STEP 3



- 1.Position the Skimmer into the Sump
- 2.For optimal performance the water level in the Sump should be as per our recommendation (Please refer to our product specification sheet)
- 3.Maintain consistence water level. Fluctuating water level will affect Skimmers' performance