



AQ Pump

Instruction Manual



HONYA CO., LTD
www.reefoctopus.com

Dear Customer

Thank you for choosing Octo, a quality product manufactured by HONYA CO., LTD. In order for you to safely use our product for optimum results, please read this instruction prior to use. We would strongly suggest that you retain this Instruction for future reference.

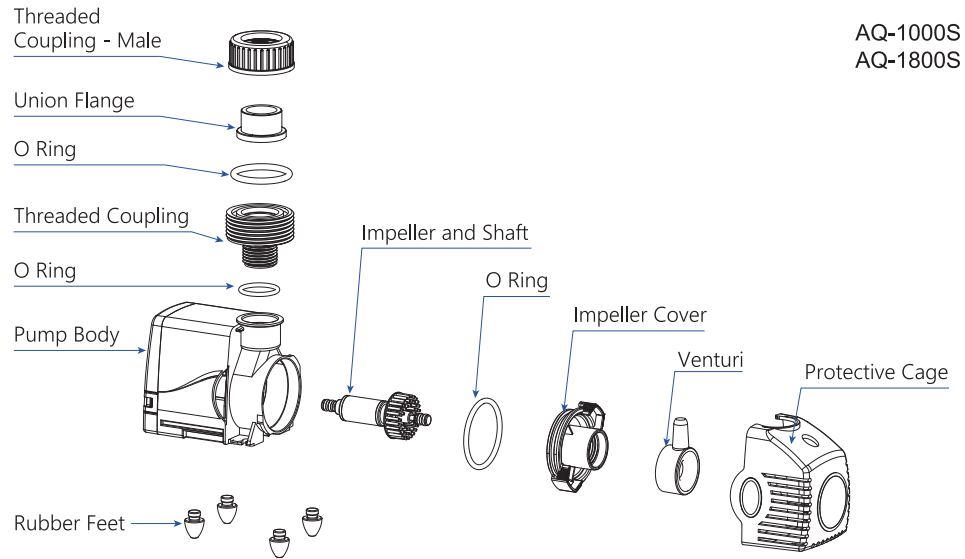
Overview

- High Quality Ceramic Impeller and Shaft for a more durable, cooler and quieter operation.
- Pump Body is manufacture with a mixture of high-grade PC+PET material. This material can be submerged long-term in water without experiencing the fatigue and degradation typically associated with regular plastic ensuring enhanced durability and reliability and the capability to withstand ozone.
- Cooling chambers are built within the pump body to reduce operating temperatures, thereby enhancing the pump's longevity.
- Suitable for both Fresh and Marine water.
- Suitable for Wet or Dry operation.

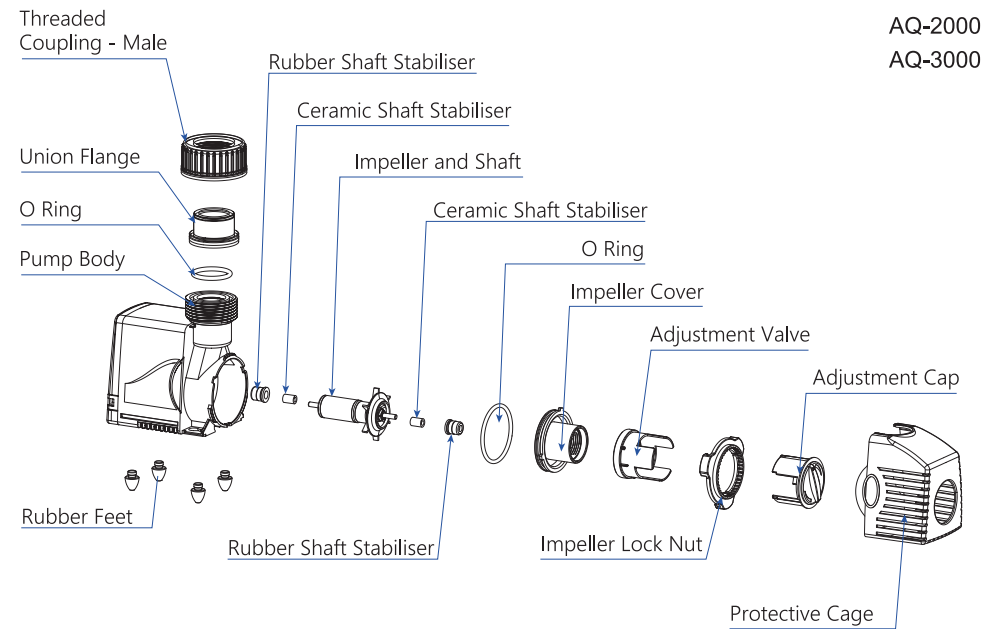
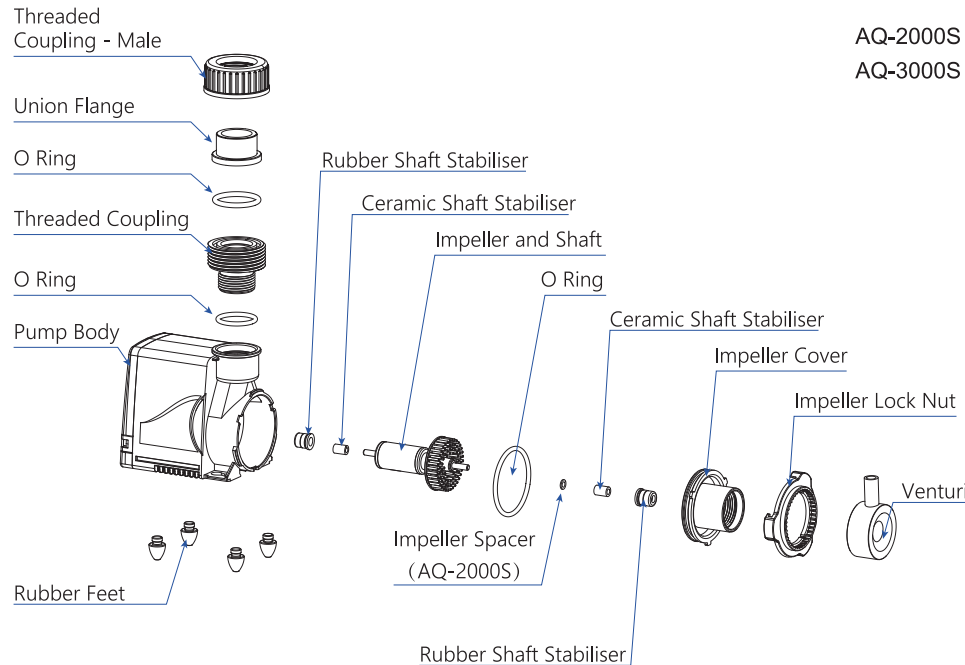
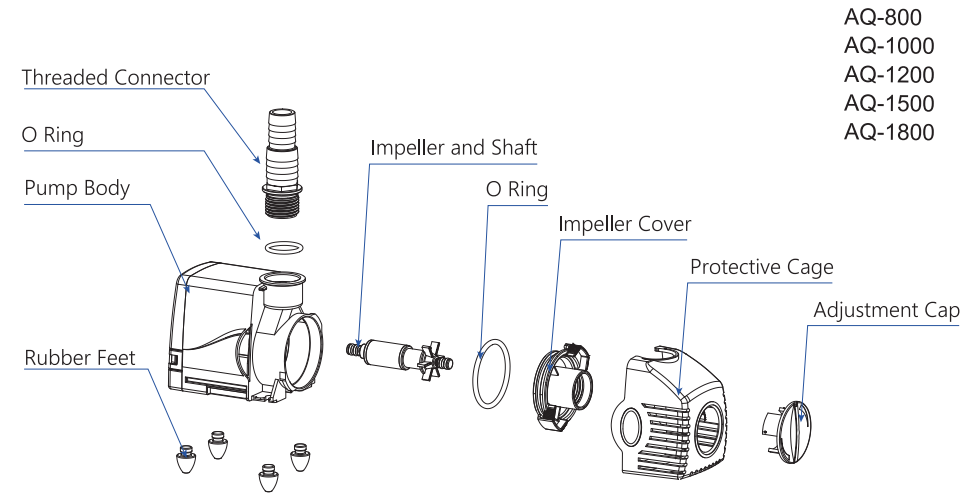
Safety Tips

- Do not operate this pump without water flow. Operating without water may cause the pump to overheat, posing a potential fire hazard.
- Do not operate this pump in water containing debris such as sand, mud, or pebbles. Such materials can damage the impeller and cause the pump to short-circuit.
- For skimmer pumps, always operate with the air intake open to prevent damage to the needle wheel impeller.
- Please do not carry the pump by the power cable, as this may cause the power cable to break.
- When not in use for a long period, wash the pump with fresh water before storage to prevent calcium carbonate (salt creep) hardening which may impact the pump performance.

Skimmer Pump Assembly



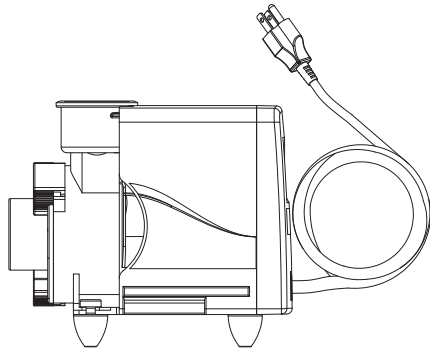
Water Pump Assembly



Package

Please check content in the package

- Pump Body



- Skimmer Pump accessories

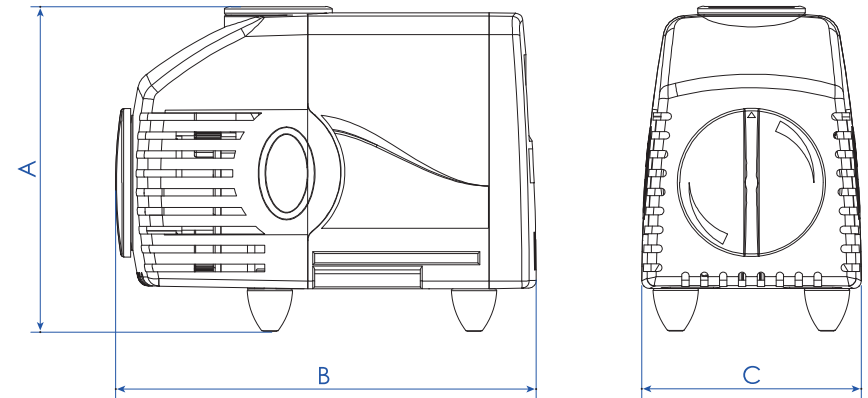
							Model
1	1	1	1	1	1	1	AQ-1000S
1	1	1	1	1	1	1	AQ-1800S
	1	1	1	1	1	1	AQ-2000S
	1	1	1	1	1	1	AQ-3000S

- Water Pump accessories

								Model
1	1	1				2	4	AQ-800
1	1	1				2	4	AQ-1000
1	1	1				2	4	AQ-1200
1	1	1				2	4	AQ-1500
1	1	1				2	4	AQ-1800
		1	1	1	1	1	4	AQ-2000
		1	1	1	1	1	4	AQ-3000

*above parts are listed not according to dimensions.

Size



Model	Outlet Size		A		B		C	
	mm	inch	mm	inch	mm	inch	mm	inch
AQ-800	20	1/2	90	3.6	115	4.5	60	2.4
AQ-1000	20	1/2	90	3.6	115	4.5	60	2.4
AQ-1200	20	1/2	90	3.6	115	4.5	60	2.4
AQ-1500	20	1/2	90	3.6	115	4.5	60	2.4
AQ-1800	20	1/2	90	3.6	115	4.5	60	2.4
AQ-2000	25	3/4	120	4.7	135	5.3	70	2.8
AQ-3000	25	3/4	120	4.7	135	5.3	70	2.8

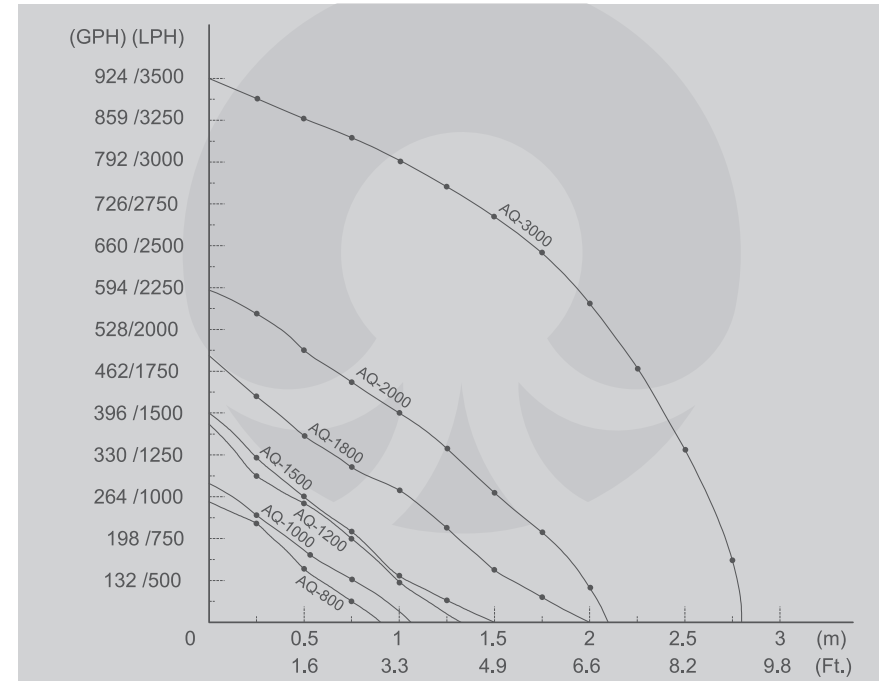
- Skimmer pump specifications

Model	Voltage / HZ	Power	Air Intake		Flow Rate	
	V/HZ		W	LPH	GPH	LPH
AQ-1000S	220-240/50	8	420	111	350	92
	120/60	9	454	120	350	92
AQ-1800S	220-240/50	10	480	127	530	140
	120/60	11	511	135	530	140
AQ-2000S	220-240/50	17	720	190	750	198
	120/60	18	720	190	750	198
AQ-3000S	220-240/50	35	880	232	800	211
	120/60	35	871	230	800	211

- Water pump specifications

Model	Voltage / HZ	Power	Head Height		Flow Rate	
	V/HZ		W	m	Ft.	LPH
AQ-800	220-240/50	6	0.8	2.6	880	232
	120/60	7	0.9	3.0	908	240
AQ-1000	220-240/50	8	1.0	3.3	1150	304
	120/60	11	1.1	3.6	1136	300
AQ-1200	220-240/50	10	1.1	3.6	1300	343
	120/60	15	1.3	4.3	1287	340
AQ-1500	220-240/50	15	1.4	4.6	1500	396
	120/60	18	1.5	4.9	1476	390
AQ-1800	220-240/50	23	1.9	6.2	1850	488
	120/60	25	2.0	6.6	1798	475
AQ-2000	220-240/50	42	2.0	6.6	2000	528
	120/60	45	2.1	6.9	2203	582
AQ-3000	220-240/50	62	2.8	9.2	3300	871
	120/60	65	2.8	9.2	3501	925

Pump Performance



- Optimal operating water temperature between 0-35°C.
- Do not operate and expose this pump to direct sunlight.

Maintenance

- For your safety, please ensure that this pump is plug into a power supply with earthing (grounding) connection.
- Please ensure that your pump is unplug before maintenance.
- Please ensure that both the power plug and your hands are dry before plugging in and turning on this pump.
- Warranty will be void if you attempt to extent or splice power cable or make any modifications to the pump.
- During operation, pump will be warm to touch, this is normal.



AQ水泵

产品说明书



HONYA CO., LTD
www.reefoctopus.com



亲爱的客户:

感谢你选择OCTO产品!

为确保您的安全及使用时得到最佳效果,
请仔细阅读此使用说明。

(阅读后,请保存这份手册,以备以后参考)

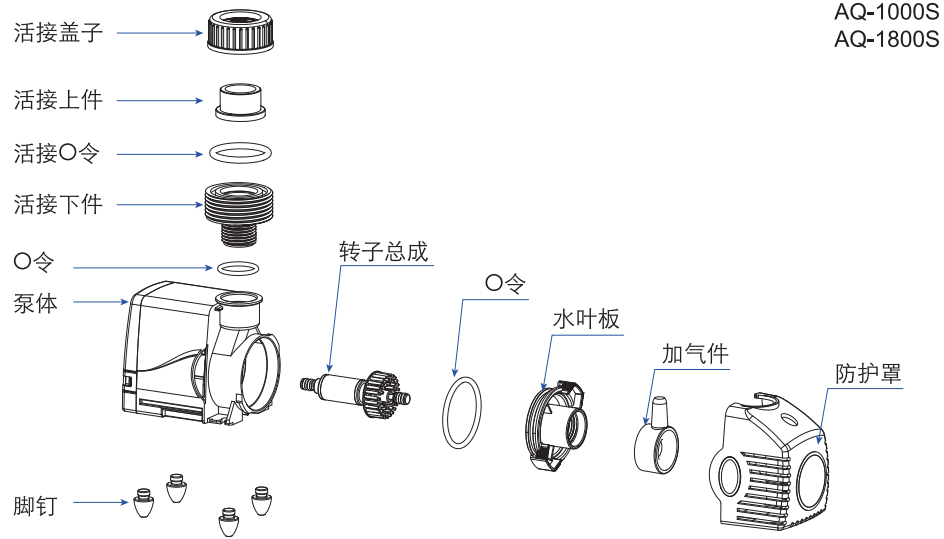
产品特点

- 耐磨陶瓷轴/轴套。
- 优质合金塑料PC+PET注塑泵体(区别于普通塑料,耐水解/耐一般臭氧)。
- 自带水路润滑和降温结构,有效的降低了泵体转子工作温度,避免了转子在高温状态下工作,提高了转子的使用寿命。
- 淡水,海水适用。
- 干式,湿式两用。

注意事项

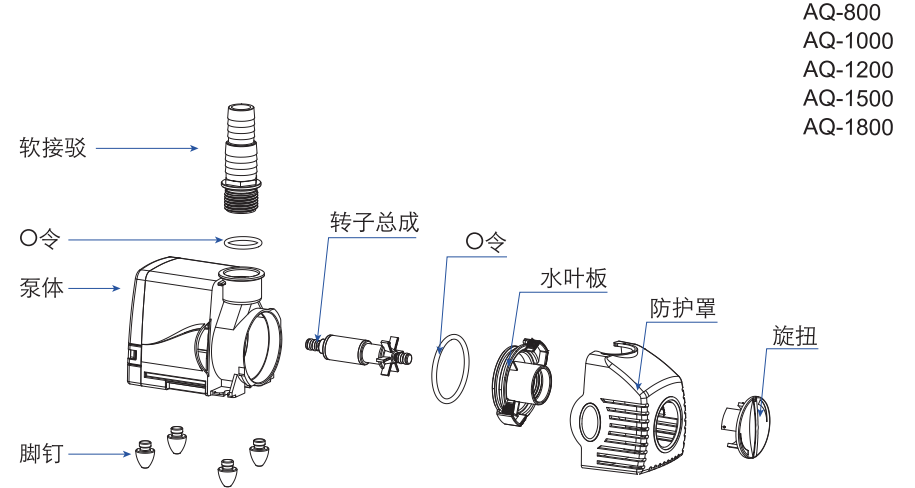
- 请勿在无水时运转水泵,如运转会导致水泵发热引起火灾危险。
- 请勿在泥沙中运转水泵,如运转会导致水泵内部损坏引起漏电危险。
- 蛋分泵请勿闭气启动及运转,容易造成转子损坏。
- 请勿直接提电源线拿泵,容易造成电源线断裂。
- 长时间不使用,需用清水清洗水泵及转子,防止海水结盐,影响下次使用。

蛋分泵装配图

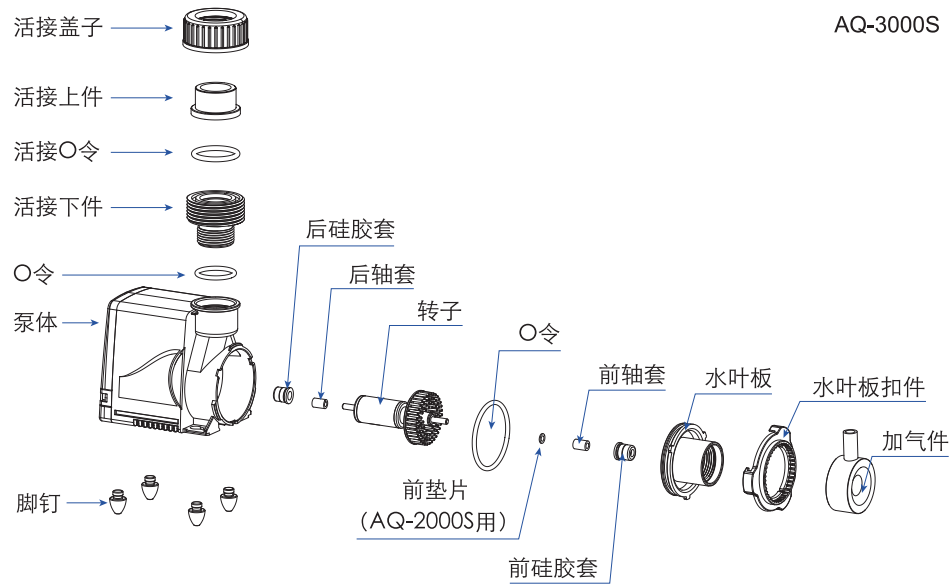


AQ-1000S
AQ-1800S

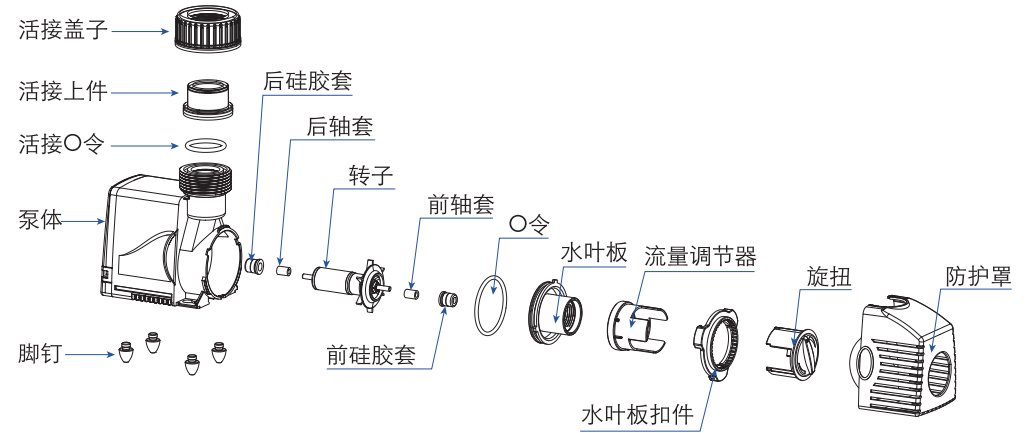
循环泵装配图



AQ-800
AQ-1000
AQ-1200
AQ-1500
AQ-1800



AQ-2000S
AQ-3000S

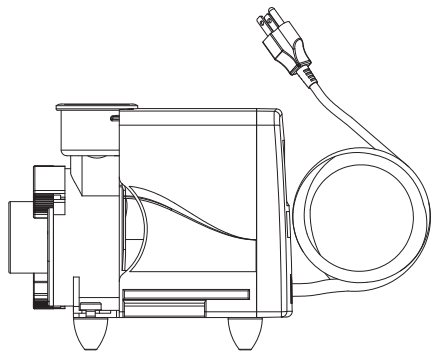


AQ-2000
AQ-3000

配件明细

请检查包装内物件是否齐全

● 泵体



● 蛋分泵配件包

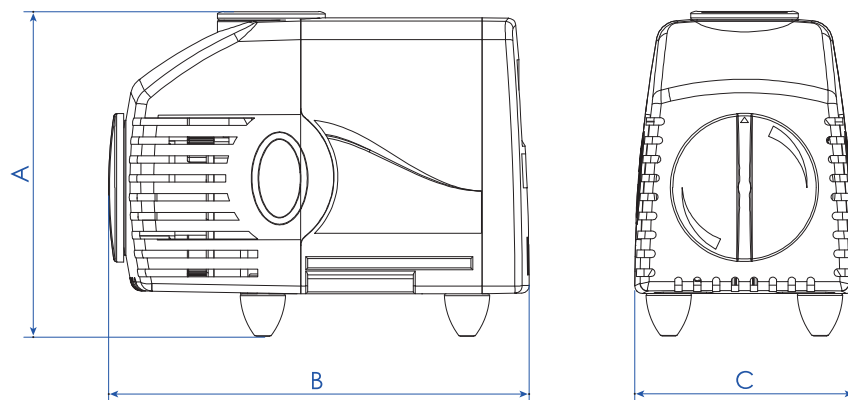
							型号
1	1	1	1	1	1	1	AQ-1000S
1	1	1	1	1	1	1	AQ-1800S
	1	1	1	1	1	1	AQ-2000S
	1	1	1	1	1	1	AQ-3000S

● 循环泵配件包

								型号
1	1	1				2	4	AQ-800
1	1	1				2	4	AQ-1000
1	1	1				2	4	AQ-1200
1	1	1				2	4	AQ-1500
1	1	1				2	4	AQ-1800
		1	1	1	1	1	4	AQ-2000
		1	1	1	1	1	4	AQ-3000

* 以上配件按照样式/名称划分, 不以尺寸划分(型号不同的泵, 配件尺寸是不同的)。

尺寸



型号	出水口		A		B		C	
	mm	inch	mm	inch	mm	inch	mm	inch
AQ-800	20	1/2	90	3.6	115	4.5	60	2.4
AQ-1000	20	1/2	90	3.6	115	4.5	60	2.4
AQ-1200	20	1/2	90	3.6	115	4.5	60	2.4
AQ-1500	20	1/2	90	3.6	115	4.5	60	2.4
AQ-1800	20	1/2	90	3.6	115	4.5	60	2.4
AQ-2000	25	3/4	120	4.7	135	5.3	70	2.8
AQ-3000	25	3/4	120	4.7	135	5.3	70	2.8

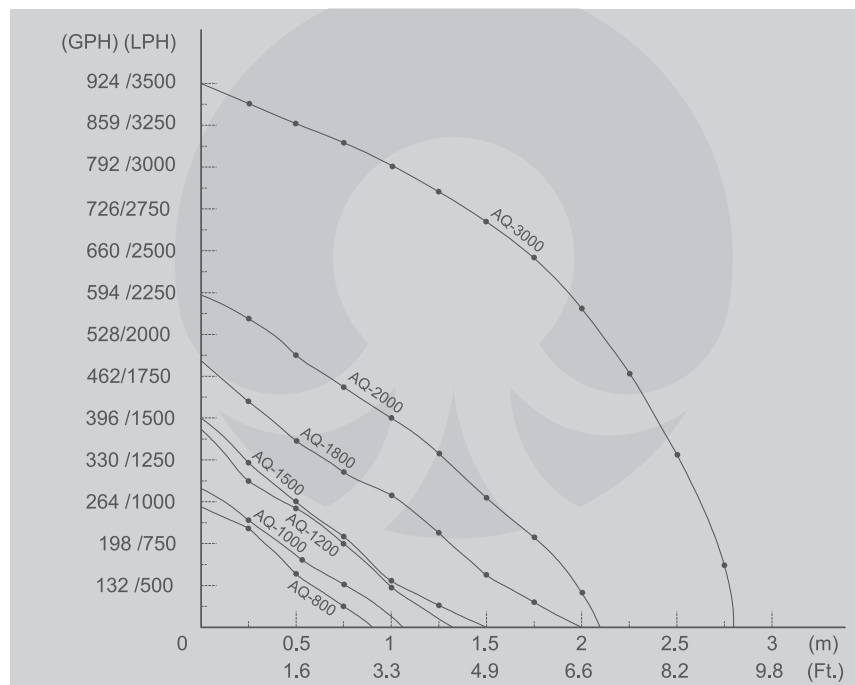
● 蛋分泵参数

型号	电压/赫兹		功率		气量		流量	
	V/HZ	W	LPH	GPH	LPH	GPH	LPH	GPH
AQ-1000S	220-240/50	8	420	111	350	92		
	120/60	9	454	120	350	92		
AQ-1800S	220-240/50	10	480	127	530	140		
	120/60	11	511	135	530	140		
AQ-2000S	220-240/50	17	720	190	750	198		
	120/60	18	720	190	750	198		
AQ-3000S	220-240/50	35	880	232	800	211		
	120/60	35	871	230	800	211		

● 循环泵参数

型号	电压/赫兹		功率		扬程		流量	
	V/HZ	W	m	Ft.	LPH	GPH	LPH	GPH
AQ-800	220-240/50	6	0.8	2.6	880	232		
	120/60	7	0.9	3.0	908	240		
AQ-1000	220-240/50	8	1.0	3.3	1150	304		
	120/60	11	1.1	3.6	1136	300		
AQ-1200	220-240/50	10	1.1	3.6	1300	343		
	120/60	15	1.3	4.3	1287	340		
AQ-1500	220-240/50	15	1.4	4.6	1500	396		
	120/60	18	1.5	4.9	1476	390		
AQ-1800	220-240/50	23	1.9	6.2	1850	488		
	120/60	25	2.0	6.6	1798	475		
AQ-2000	220-240/50	42	2.0	6.6	2000	528		
	120/60	45	2.1	6.9	2203	582		
AQ-3000	220-240/50	62	2.8	9.2	3300	871		
	120/60	65	2.8	9.2	3501	925		

扬程流量曲线图



使用环境

- 产品适用于水温0-35°C。
- 产品避免安装在阳光直照的环境中, (会加速老化)。

维护与保养

- 为了你与设备的安全, 在使用本产品时, 需使用在有接地装置的断路器开关上。
- 在维护水泵时请先从主电源上断开电源线。
- 插头潮湿及手上潮湿时请不要将插头接入主电源防止发生漏电危险。
- 电源线开裂时请不要使用水泵, 不要私自更换电源线; 请及时联系售后。
- 泵身微微发热属于正常现象。

