

Regal-S

Instruction Manual

Regal 150-S

Regal 200-S

Regal 250-S

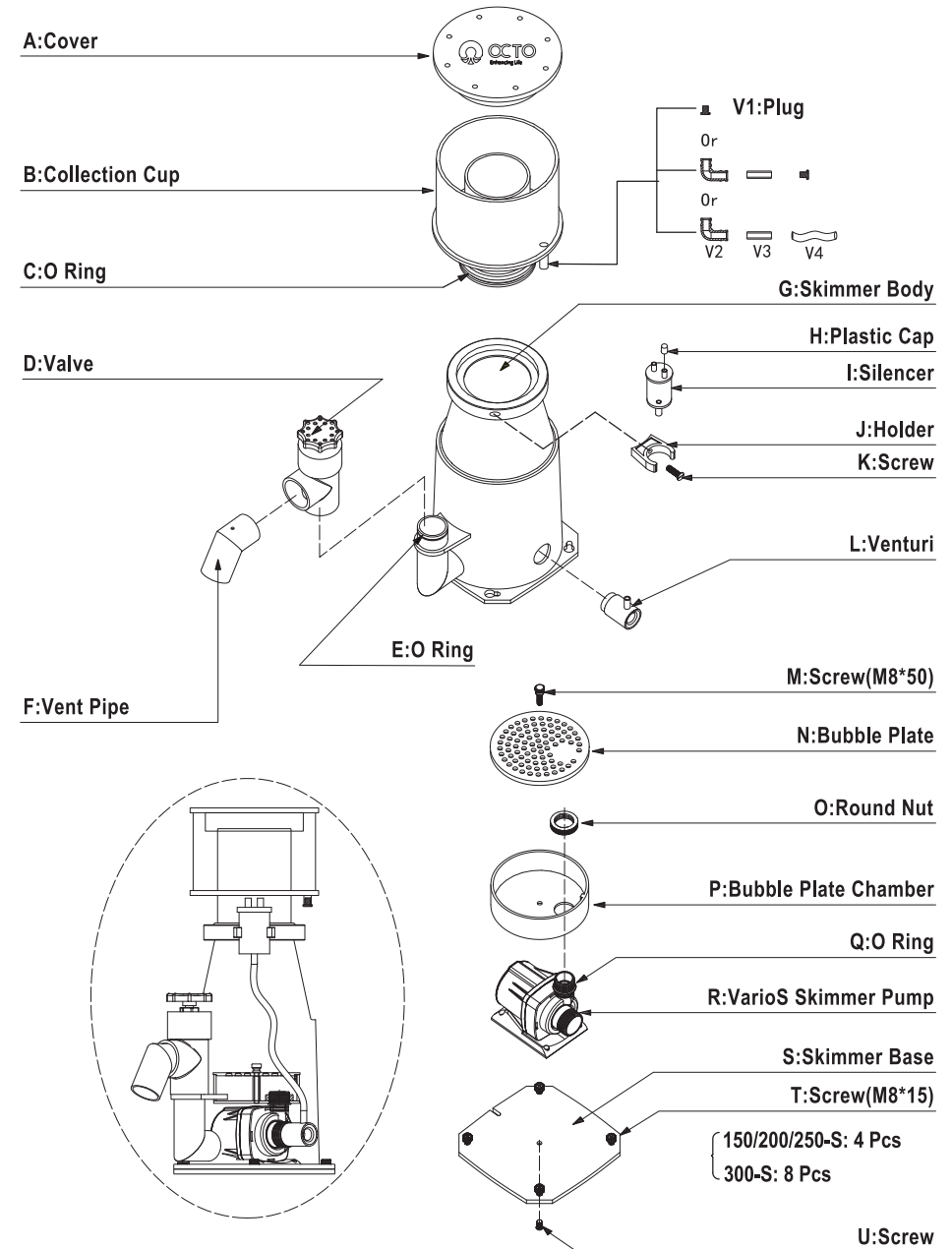
Regal 300-S



Product specification

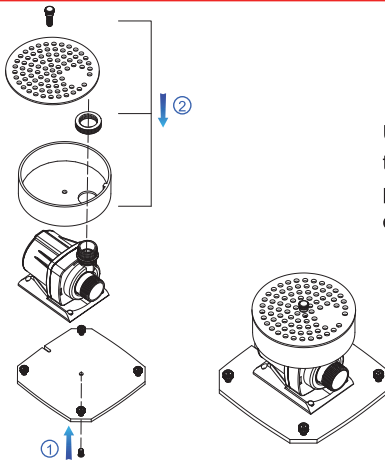
Item No.	Product	Fit Pump	Cup Diameter		Footprint		Height		Output Size		Tank Volume		Recommended sump water level	
			mm	inch	mm	inch	mm	inch	mm	inch	L	US Gal	cm	inch
120201	Regal 150-S	VarioS 2-S	150	5.9	230*190	9.1*7.5	582	22.9	40	1-1/4	800	211	18-22	7.0-8.7
120202	Regal 200-S	VarioS 4-S	200	7.9	295*245	11.6*9.7	600	23.6	50	1-1/2	1500	396	18-22	7.0-8.7
120203	Regal 250-S	VarioS 6-S	250	9.9	350*295	13.8*11.6	620	24.4	50	1-1/2	2400	634	20-25	7.9-9.9
120204	Regal 300-S	VarioS 6-S	300	11.8	385*330	15.2*13.0	650	25.6	50	1-1/2	2800	739	20-25	7.9-9.9

Explosion Chart



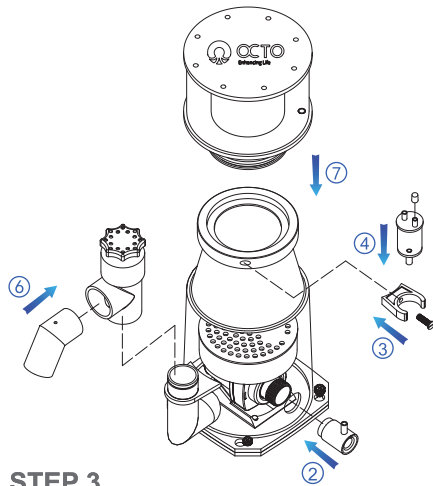
Assembly

STEP 1



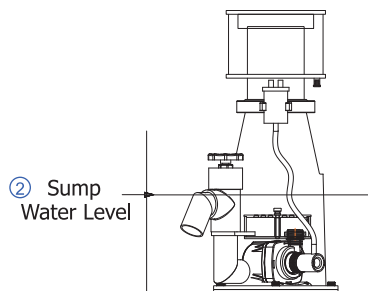
Using the screw(Part U) to secure the pump to the skimmer base, tighten and align the bubble plate chamber using the round nut(Part O) as per our explosion chart.

STEP 2



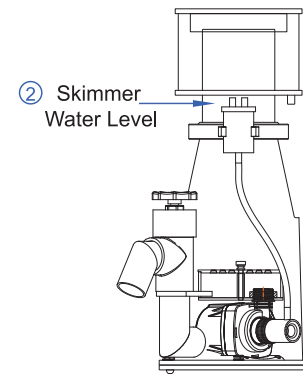
1. Attach the Skimmer Body onto the Skimmer Base and tighten Screws
2. Insert the Venturi to the intake of the Pump
3. Attach the Silencer Holder(Part J)
4. Slide the Silencer onto the Holder gently
5. Insert the Air Hose
6. Insert the Gate Valve/Vent Pipe(Parts D/F)
7. Insert the Collection Cup

STEP 3

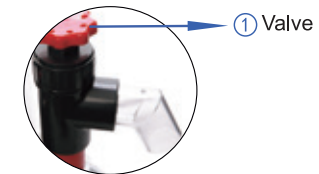


1. Position the Skimmer into the Sump
2. For optimal performance the water level in the Sump should be as per our recommendation (Please refer to our product specification sheet)
3. Maintain consistence water level. Fluctuating water level will affect Skimmers' performance

STEP 4



1. Ensure that the Valve (part D) is fully open, before starting Pump
2. Adjust the valve until the Skimmer water level is between the Skimmer's Neck and just below the Collection Cup
3. A New Skimmer will need a run-in period of 1-2 weeks before stabilising. During this time, please monitor water level to prevent overflowing into the Collection Cup.



Maintenance

- Collection Cup: Collection Cup (part B) should be cleaned at least once every 7-10 days, depending on the organic waste collected.
- Skimmer body: It is recommended that you clean the Skimmer Body once every 3-6 months. Clean and Rinse off with fresh water only.
- Silencer: It is recommended to clean the silencer once every 2-3 months to prevent blocking.
- Pump: It is recommended to clean the Pump once every 3-6 months. Check and Clean the Impeller, and if necessary soak the Pump and Impeller in White Vinegar to dissolve stubborn calcium deposits.

Safety Tips

- Check the voltage shown on the label of the Pump corresponds to the voltage of the main supply
- Never allow the Pump to run dry
- Do not touch the Socket with wet hands
- Do not clean the Skimmer with any cleaning agents

HONYA CO., LTD is committed to continuous product development, we hereby reserve the right to revise the product specifications or designs without prior notice. For any further enquiry/assistance and latest product updates, Please Visit at www.reefoctopus.com.