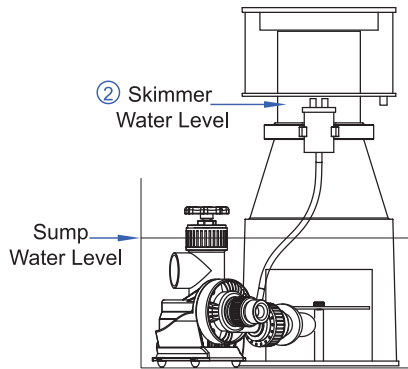


STEP 4



1. Ensure that the Valve (part M) is fully open, before starting Pump
2. Adjust the valve until the Skimmer water level is between the Skimmer's Neck and just below the Collection Cup
3. New Skimmer will need a run-in period of 1-2 weeks before stabilising. During this time, please monitor water level to prevent overflowing into the Collection Cup



Maintenance

- Collection Cup: Collection Cup (part B) should be cleaned at least once every 7-10 days, depending on the organic waste collected.
- Skimmer body: It is recommended that you clean the Skimmer Body once every 3-6 months. Clean and Rinse off with fresh water only.
- Silencer: It is recommended to clean the silencer once every 2-3 months to prevent blocking.
- Pump: It is recommended to clean the Pump once every 3-6 months. Check and Clean the Impeller, and if necessary soak the Pump and Impeller in White Vinegar to dissolve stubborn calcium deposits.

Safety Tips

- Check the voltage shown on the label of the Pump corresponds to the voltage of the main supply.
- Never allow the Pump to run dry.
- Do not touch the Socket with wet hands.
- Do not clean the Skimmer with any cleaning agents.

HONYA CO., LTD is committed to continuous product development, we hereby reserve the right to revise the product specifications or designs without prior notice. For any further enquiry/assistance and latest product updates, Please Visit at www.reefoctopus.com.



SRO-INT

Instruction Manual

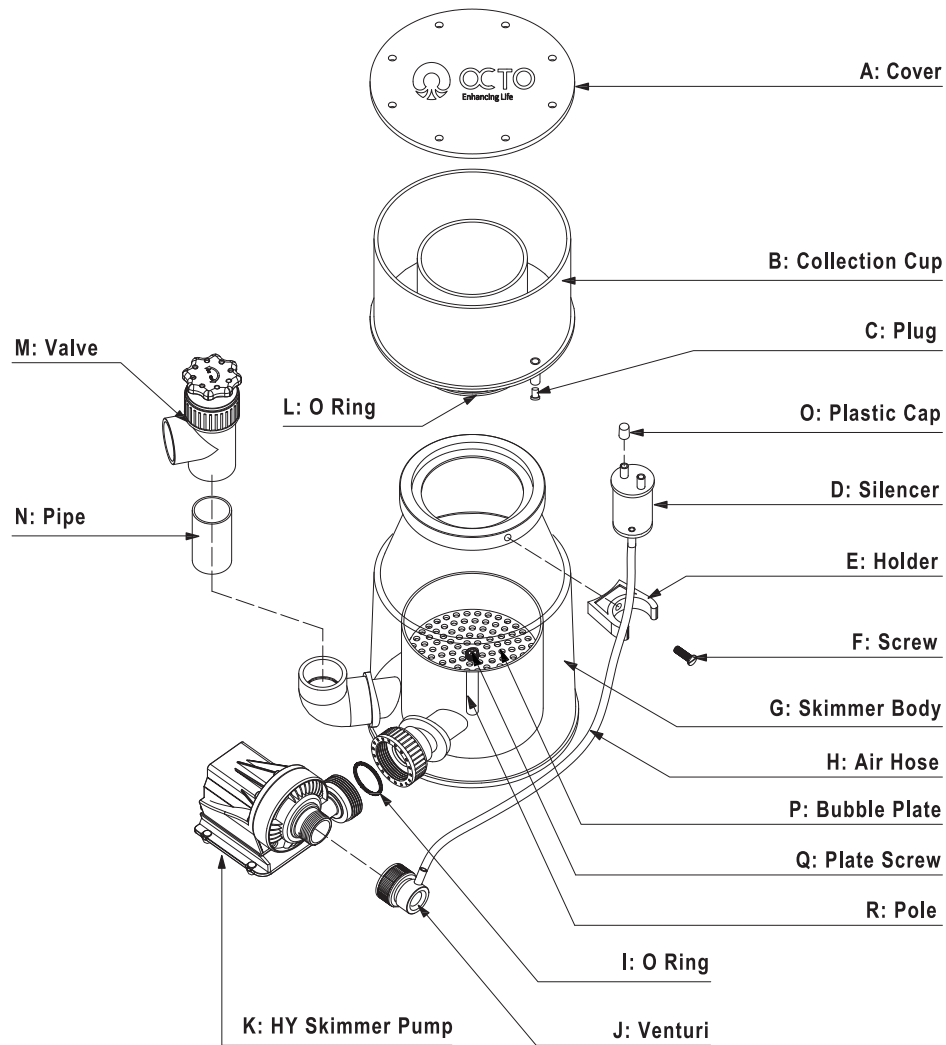
SRO-1000INT
SRO-3000INT
SRO-5000INT



Product specification

Item No.	Product	Fit Pump	Cup Diameter		Footprint		Height		Output Size		Tank Volume		Recommended sump water level	
			mm	inch	mm	inch	mm	inch	mm	inch	L	US Gal	cm	inch
120401	SRO-1000INT	HY-1000S	120	4.7	280*190	11.0*7.5	500	19.7	40	1-1/4	500	132	18-20	7.0-7.9
120403	SRO-3000INT	HY-3000S	200	7.9	375*260	14.8*10.2	600	23.6	50	1-1/2	1500	396	20-22	7.9-8.7
120404	SRO-5000INT	HY-5000S	250	9.9	445*280	17.5*11.0	610	24.0	50	1-1/2	2400	634	20-25	7.9-9.9

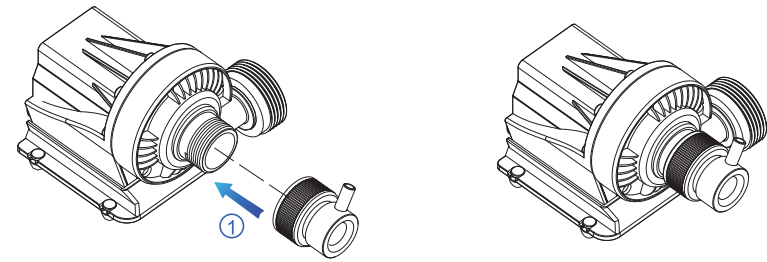
Explosion Chart



* Parts Q & R only available for SRO-5000INT

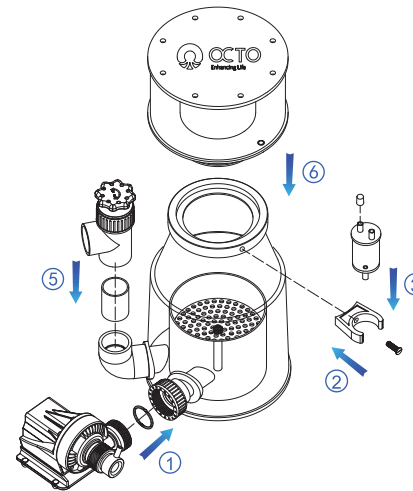
Assembly

STEP 1



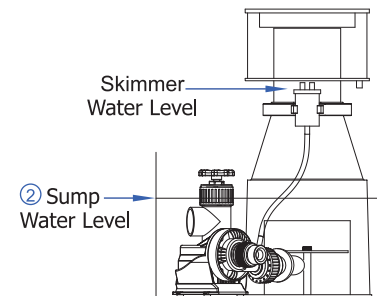
1. Screw the Venturi to the intake of the Pump

STEP 2



1. Insert the pump to the Skimmer Body
2. Attach the Silencer Holder
3. Slide the Silencer onto the Holder gently
4. Insert the Air Hose
5. Insert the Pipe/Gate Valve
6. Insert the Collection Cup

STEP 3



1. Position the Skimmer into the Sump
2. For optimal performance the water level in the Sump should be as per our recommendation (Please refer to our product specification sheet)
3. Maintain consistence water level. Fluctuating water level will affect Skimmers' performance