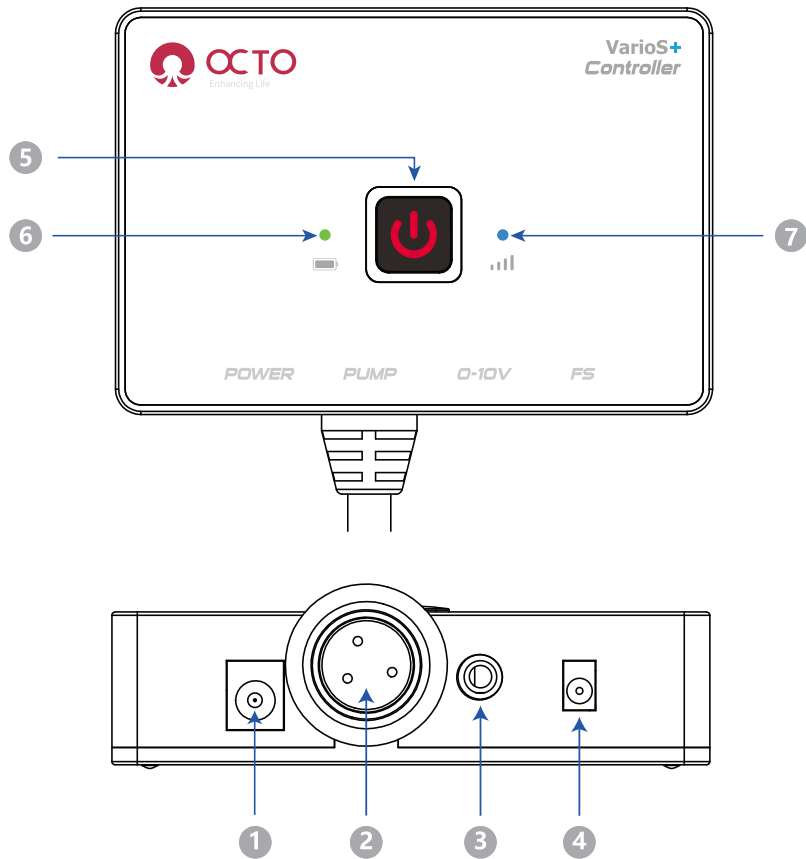



VarioS Controller+ Quick Start Guide



Legend

- 1 Power supply Connection
DC24V/2.5A: VarioS 2 / VarioS 2-S / VarioS 4 / VarioS 4-S
DC36V/2.8A: VarioS 6 / VarioS 6-S
DC36V/4.3A: VarioS 8
- 2 Connection for VarioS Pump
- 3 0-10V Input (3.5mm TRS Audio port)
- 4 Float Switch Connection (35135 DC Jack)

Settings


- 5 Power On Switch () - press once to toggle unit On/Off; .
When "Pause" function is activated, press Power Button once or cancel via APP, pump will resume operation upon cancellation;
When "Delay" function is activated, Gree Light will be flashing, to resume pump operation immediately, press Power Buntton once or cancel via APP.

Lights Status Indication

- 6 Green Light Status:
Solid Green – Pump is operating;
Flashing Green – Pump is off, Pause Function or Delay Timer activated.
- 7 Blue Light Status:
Not Lighted – Not connected to WiFi;
Flashing Blue – WiFi connection in progress;
Solid Blue – WiFi is connected.

Both Green and Blue Lights flashing simultaneously: float switch/pump anomalies

Network Connection

Press and Hold the () button for 3 secs or till Blue Light start flashing, follow the steps in our APP to connect.

Attention:

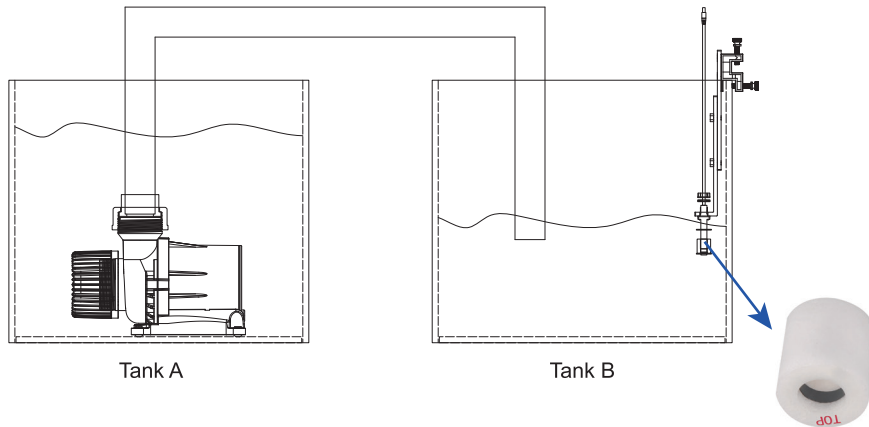
- 1 Flow Rate and Delay Timer function On/Off can only be activated via APP. Delay Timer function is OFF as per default setting.
- 2 Once 0-10 V port is connected, all functions will be offline and will not be controllable via APP.

0-10V Wiring diagram:

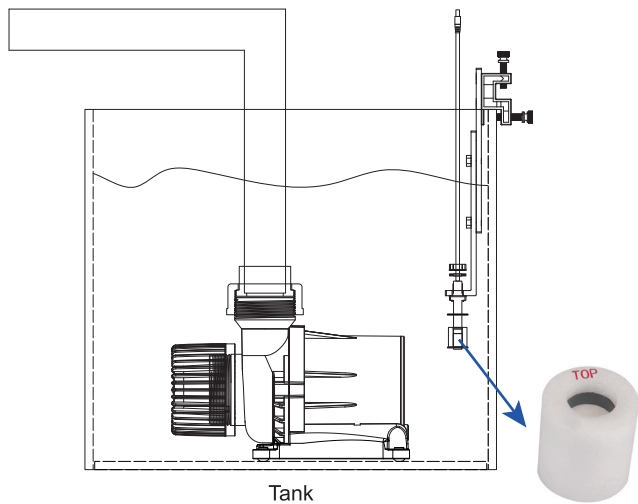


Float Switch Installation

- Auto Top-Up Function (Float Switch “TOP” marking facing downward as per factory setting):
When the water level is lower than Float Switch in Tank B, pump will switch on automatically and fill water to the desired set level.
Pump will stop when Tank B is filled to the desired set level.



- Low water level cut off function (Float Switch TOP marking facing upward):
When water level is above the Float Switch, pump will operate as per normal.
When the water level is below the Float Switch, the pump will stop operating.



APP Download

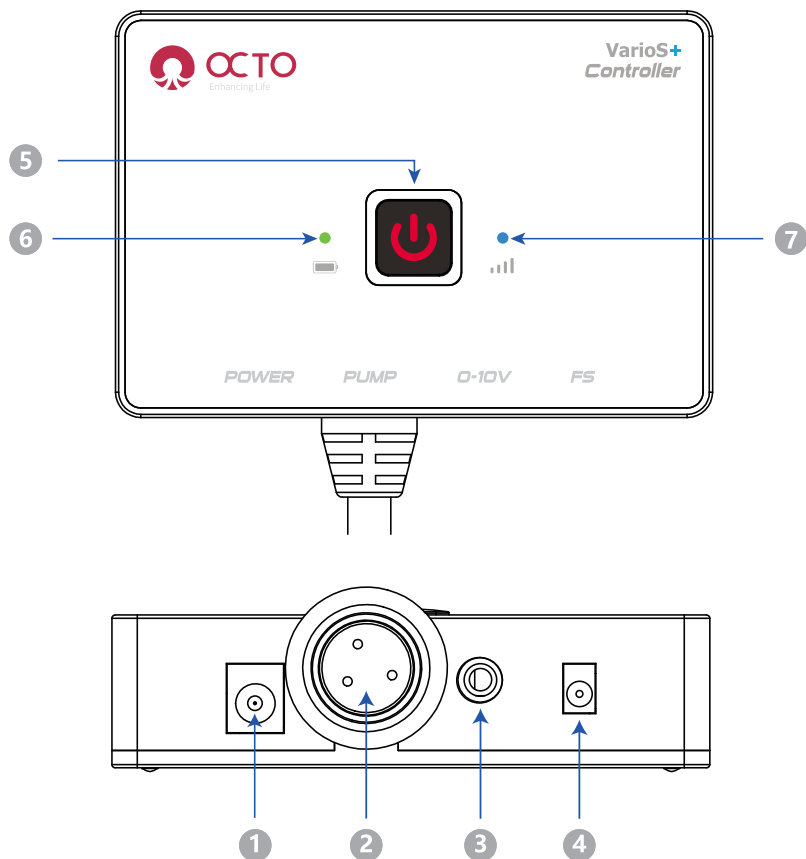
- IOS – scan the below QR code or download via App Store - octo aquatic:



- Google – scan the below QR code or download via Google Play Store – octo aquatic:



VarioS+ 控制器使用指南



• 串口定义

- 1 电源插孔，接DC电源
DC24V/2.5A: VarioS 2 / VarioS 2-S / VarioS 4 / VarioS 4-S
DC36V/2.8A: VarioS 6 / VarioS 6-S
DC36V/4.3A: VarioS 8
- 2 水泵接入口
- 3 0-10V信号接入口（3.5mm三段音频口）
- 4 浮球接入口（DC 35135）

• 按键定义

- 5 电源键(🔌): 控制器通电默认开启，按一次关闭，再按导通；
暂停倒计时状态下，按一次提前结束暂停模式，水泵恢复工作；
延时启动倒计时状态下，按一次提前结束延时启动，水泵开始工作。

• 指示灯

- 6 工作状态指示灯，绿色：
泵在工作时，此灯亮；
关机状态下/暂停倒计时状态下/延时启动倒计时状态下，此灯闪烁。
- 7 网络状态指示灯，蓝色：
控制器断网/首次使用没配网时，此灯不亮；
等待配网过程，此灯闪烁；
控制器配网成功，此灯亮。

两颗指示灯同时闪烁：浮球动作/泵异常报警

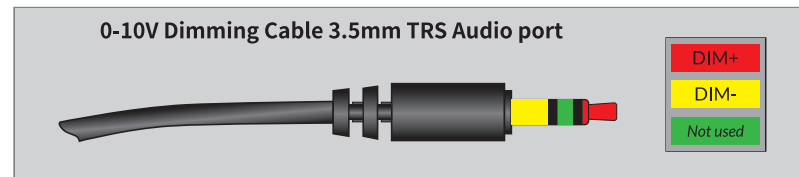
• 配网方式

长按电源键(🔌)3秒，蓝色指示灯开始闪烁，请按照APP提示开始配网。

• 注意

- 1 调速和延时启动功能开/关，只能在APP内操作。延时启动功能出厂是关闭的；
- 2 接入0-10V信号后，设备离线，APP不能控制水泵。

3.5mm音频插接线图：

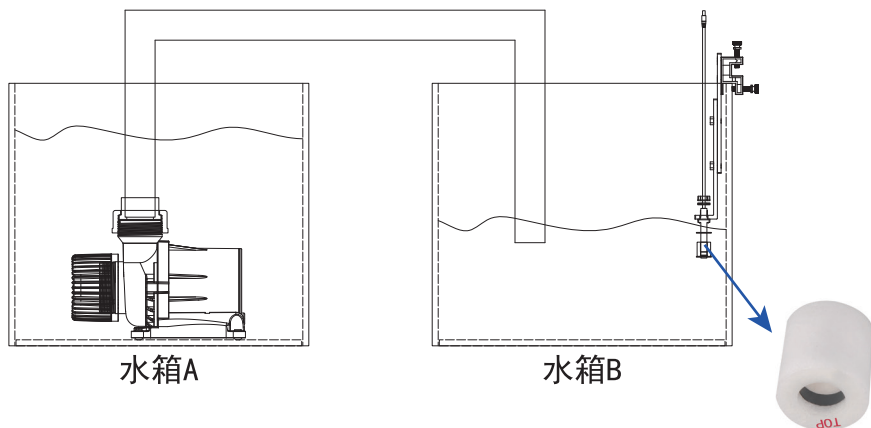


浮球的使用方法

- 自动加水功能(浮球TOP面向下安装-出厂安装方式):

当水箱B水位低于设置的高度时,水泵开始工作,开始向水箱B加水。

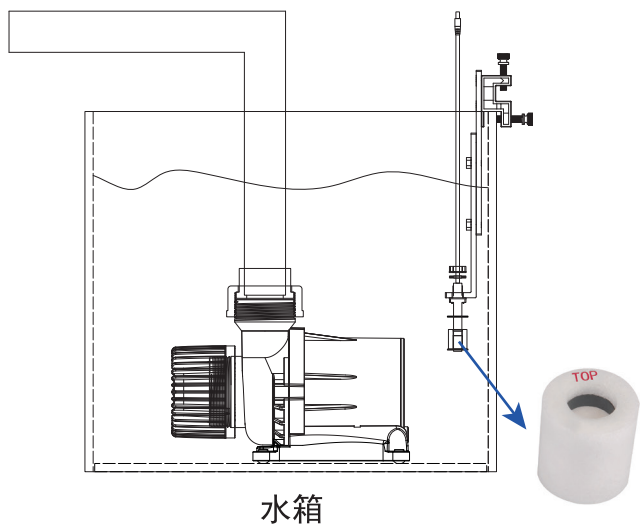
当水箱B水位高于设置的高度时,水泵停止工作,停止向水箱B加水。



- 低水位保护功能(浮球TOP面向上安装):

当水箱水位高于设置的高度时,水泵工作。

当水箱水位低于设置的高度时,水泵停止工作。



下载安装OCTO手机应用

- IOS手机用户: 在App Store中搜索“octo aquatic”或者扫描下图二维码



- 安卓手机用户 (仅限于非Google Play的安卓用户): 扫描下图二维码

