



HY Pump

Instruction Manual



HONYA CO., LTD
www.reefoctopus.com



Dear Customer

Thank you for choosing Octo, a quality product manufactured by HONYA CO., LTD. In order for you to safely use our product for optimum results, please read this instruction prior to use. We would strongly suggest that you retain this Instruction for future reference.

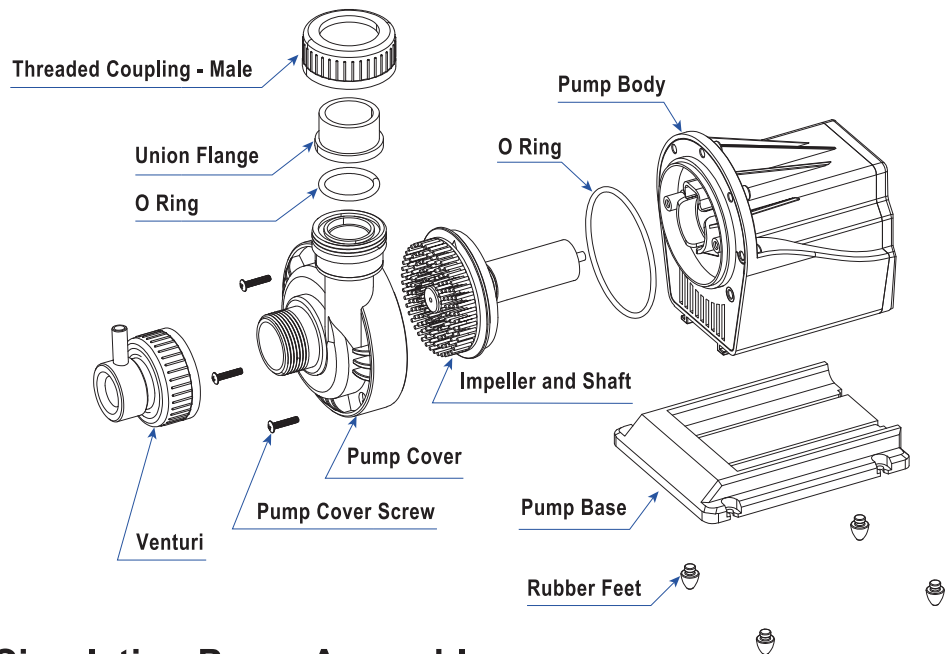
Overview

- Exceptionally durable ceramic impeller made with Silicon Nitrite to resist abrasion and lower operating temperature.
*HY-10000S, HY-10000W, HY-12500W, HY-16000W uses alloy.
- Uses Neodymium Magnet.
- Pump Body is manufacture with a mixture of high-grade PC+PET material. This material can be submerged long-term in water without experiencing the fatigue and degradation typically associated with regular plastic ensuring enhanced durability and reliability and the capability to withstand ozone.
- Cooling chambers are built within the pump body to reduce operating temperatures, thereby enhancing the pump's longevity.
- Suitable for both Fresh and Marine water.
- Suitable for Wet or Dry operation.

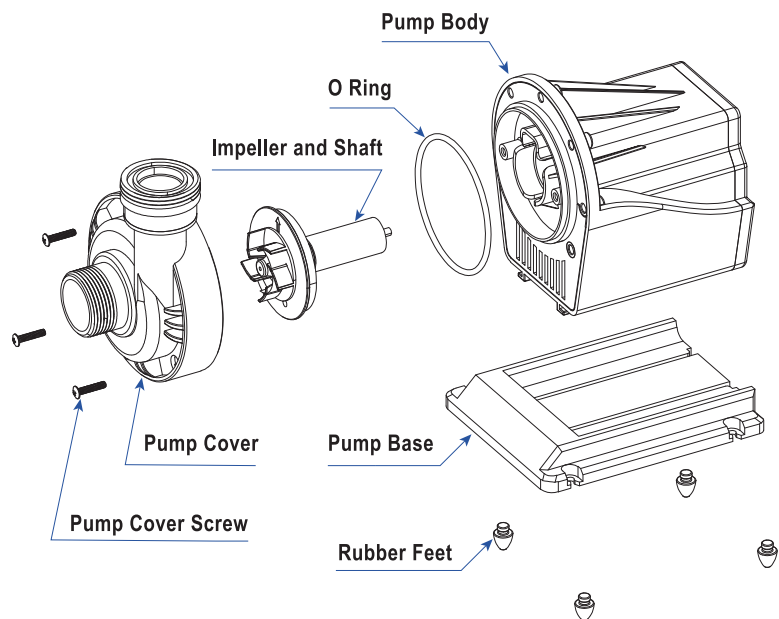
Safety Tips

- Do not operate this pump without water flow. Operating without water may cause the pump to overheat, posing a potential fire hazard.
- Do not operate this pump in water containing debris such as sand, mud, or pebbles. Such materials can damage the impeller and cause the pump to short-circuit.
- For skimmer pumps, always operate with the air intake open to prevent damage to the needle wheel impeller.
- Please do not carry the pump by the power cable, as this may cause the power cable to break.
- When not in use for a long period, wash the pump with fresh water before storage to prevent calcium carbonate (salt creep) hardening which may impact the pump performance.

Skimmer Pump Assembly



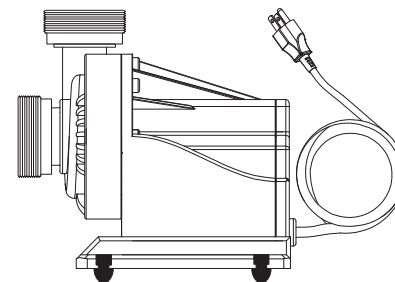
Circulation Pump Assembly





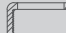

Package

Please check content in the package









- Pump Body



- Skimmer Pump Accessories

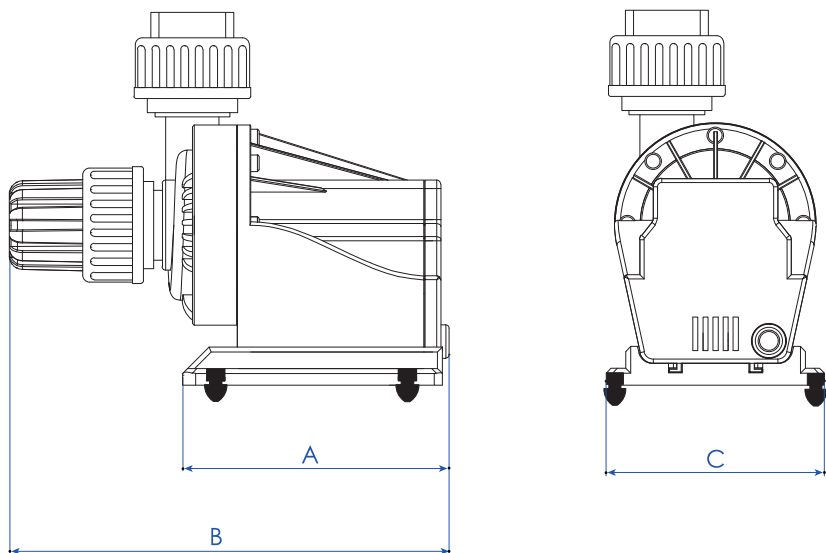
					Model
	1	1	1	1	HY-1000S
	1	1	1	1	HY-2000S
	1	1	1	1	HY-5000S
	1	1	1	2	HY-10000S

- Circulation Pump Accessories

									Model		
	2	2	2	2	1	2		4	HY-1000W		
	2	2	2	2	1	2		4	HY-2000W		
	2	2	2	2	1	2		4	HY-3000W		
	2	2	2	2	1	2		4	HY-4000W		
					2	1	2	2	4	HY-5000W	
					2	1	2	2	2	4	HY-7000W
					1	1	2	2	2	4	HY-10000W
					1	1	2	2	2	4	HY-12500W
					1	1	2	2	2	4	HY-16000W

*above parts are listed not according to dimensions.

Size



Model	Inlet Size		Outlet Size		A		B		C	
	mm	inch	mm	inch	mm	inch	mm	inch	mm	inch
HY-1000W	25	3/4	20	1/2	115	4.5	175	6.9	90	3.6
HY-2000W	25	3/4	20	1/2	115	4.5	175	6.9	90	3.6
HY-3000W	32	1	25	3/4	145	5.7	200	7.9	105	4.2
HY-4000W	32	1	25	3/4	145	5.7	200	7.9	105	4.4
HY-5000W	40	1-1/4	32	1	145	5.7	235	9.3	110	4.4
HY-7000W	40	1-1/4	32	1	145	5.7	235	9.3	110	4.4
HY-10000W	40	1-1/4	32	1	165	6.5	255	10.0	130	5.2
HY-12500W	40	1-1/4	40	1-1/4	165	6.5	255	10.0	130	5.2
HY-16000W	40	1-1/4	40	1-1/4	165	6.5	255	10.0	130	5.2

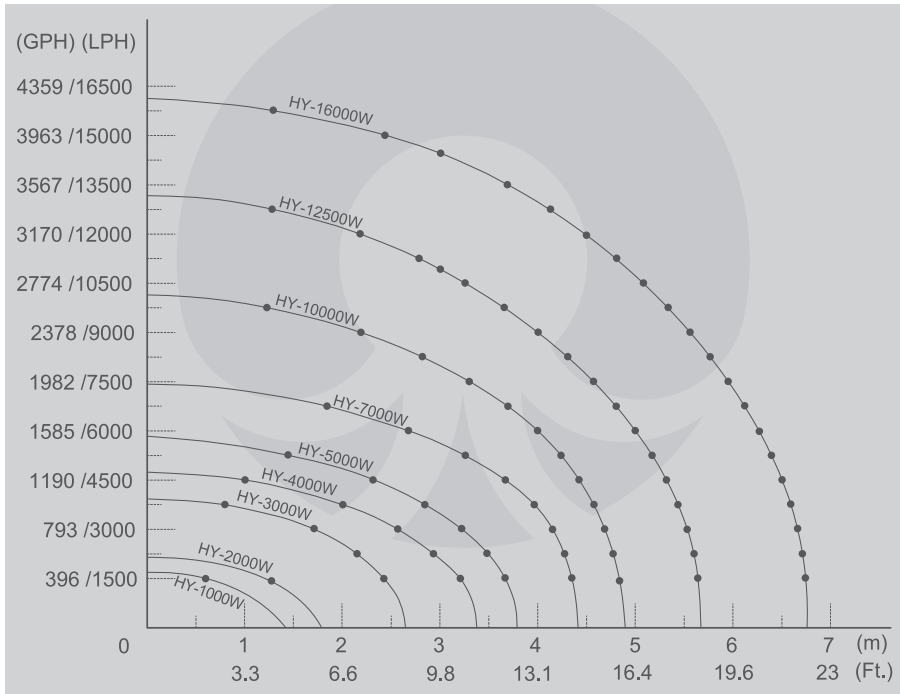
Skimmer Pump Specifications

Model	Voltage / HZ	Power	Air Intake		Flow Rate	
	V/HZ		W	LPH	GPH	LPH
HY-1000S	220-240/50	15	540	143	520	137
	120/60	20	644	170	568	150
HY-2000S	220-240/50	25	960	253	900	238
	120/60	30	1022	270	946	250
HY-3000S	220-240/50	30	1100	290	1550	409
	120/60	35	1136	300	1609	425
HY-5000S	220-240/50	40	2100	554	1700	449
	120/60	55	2385	630	1817	480
HY-10000S	220-240/50	100	4000	1056	3200	845
	120/60	125	4542	1200	3293	870

Circulation Pump Specifications

Model	Voltage / HZ	Power	Head Height		Flow Rate	
	V/HZ		W	m	Ft.	LPH
HY-1000W	220-240/50	13	1.4	4.6	1600	422
	120/60	13	1.4	4.6	1666	440
HY-2000W	220-240/50	18	1.8	6.0	2000	528
	120/60	18	1.8	6.0	2101	555
HY-3000W	220-240/50	30	2.3	7.5	3400	898
	120/60	35	2.6	8.5	3483	920
HY-4000W	220-240/50	40	2.7	8.9	4200	1109
	120/60	45	2.9	9.5	4599	1215
HY-5000W	220-240/50	55	3.3	10.8	5200	1373
	120/60	60	3.4	11.0	5489	1450
HY-7000W	220-240/50	70	3.6	11.8	6900	1822
	120/60	80	4.3	14.0	7382	1950
HY-10000W	220-240/50	95	4.3	14.0	10000	2640
	120/60	120	4.9	16.0	10221	2700
HY-12500W	220-240/50	165	4.8	15.7	12500	3300
	120/60	175	5.6	18.5	12492	3300
HY-16000W	220-240/50	200	5.1	16.7	15000	3960
	120/60	250	6.7	22.0	15596	4120

Pump Performance



Maintenance

- For your safety, please ensure that this pump is plug into a power supply with earthing (grounding) connection.
- Please ensure that your pump is unplug before maintenance.
- Please ensure that both the power plug and your hands are dry before plugging in and turning on this pump.
- Warranty will be void if you attempt to extent or splice power cable or make any modifications to the pump.
- During operation, pump will be warm to touch, this is normal.

- Optimal operating water temperature between 0-35 C .
- Do not operate and expose this pump to direct sunlight.

Trouble Shooting

Abnormal noise when pump is running.	Debris is trap inside pump chamber.	Off the pump, unplug the pump from power supply and remove debris from pump's chamber and impeller.
Pump not able to start/run.	<ol style="list-style-type: none"> 1. Larger debris could be trap inside the pump's chamber. 2. Impeller is stuck or not turning. 	Check the Impeller to ensure that it is not cracked or broken.
Plug in pump and the circuit breaker activated.	Electrical fault.	Disconnect the pump and contact our After Sales Service in your region.
Minimal flow or no flow.	<ol style="list-style-type: none"> 1. Intake is block, remove blockages. 2. Pump is not fully submerged in water. 	Check both water level and/or intake.
Abnormal or low air volume for Skimmer pump.	<ol style="list-style-type: none"> 1. Intake pipe is blocked or kinked. 2. Air Diffuser is blocked. 3. Misplaced Impeller. 4. Silencer is choked. 	Check all the above.
Abnormal vibrations.	Abnormal low power operations.	Ensure power supply grid is restore before plugging pump in.

Notes



HY水泵

产品说明书



HONYA CO., LTD
www.reefoctopus.com



亲爱的客户:

感谢你选择OCTO产品!

为确保您的安全及使用时得到最佳效果,
请仔细阅读此使用说明。

(阅读后,请保存这份手册,以备以后参考)

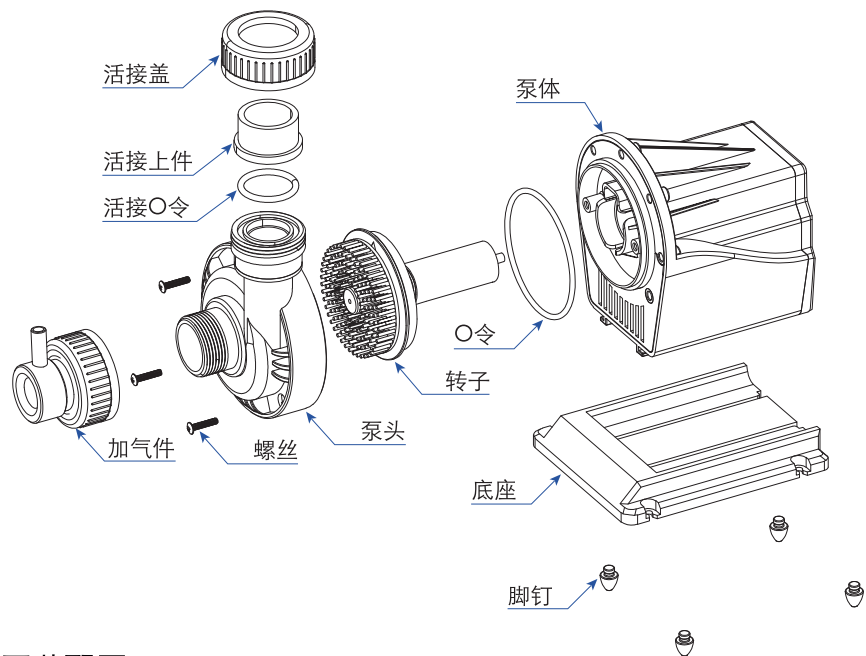
产品特点

- 耐磨陶瓷轴/轴套(材质为氮化硅晶体,相比于普通陶瓷硬度更高/更耐高温)。*HY-10000S, HY-10000W, HY-12500W, HY-16000W使用合金轴。
- 强磁转子(使用稀土钕铁硼可有效防止水泵性能的衰减)。
- 优质合金塑料PC+PET注塑泵体(区别于的普通塑料,耐水解/耐一般臭氧)。
- 自带水路润滑和降温结构,有效的降低了泵体转子工作温度,避免了转子在高温状态下工作,提高了转子的使用寿命。
- 淡水,海水适用。
- 干,湿式两用。

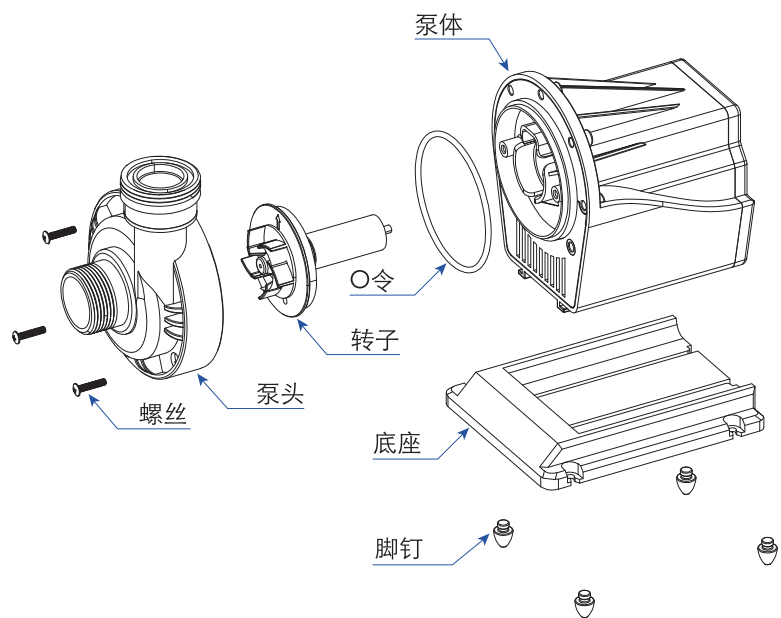
注意事项

- 请勿在无水时运转水泵,如运转会导致水泵发热引起火灾危险。
- 请勿在泥沙中运转水泵,如运转会导致水泵内部损坏引起漏电危险。
- 蛋分泵请勿闭气起动及运转,容易造成转子损坏。
- 请勿直接提电源线拿泵,容易造成电源线断裂。

蛋分泵装配图



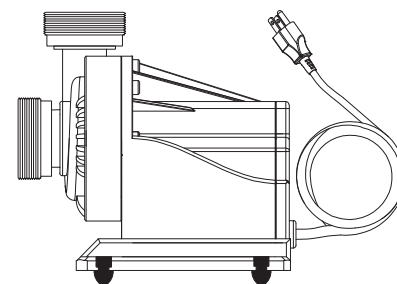
循环泵装配图



配件明细

请检查包装内物件是否齐全

- 泵体



- 蛋分泵配件包

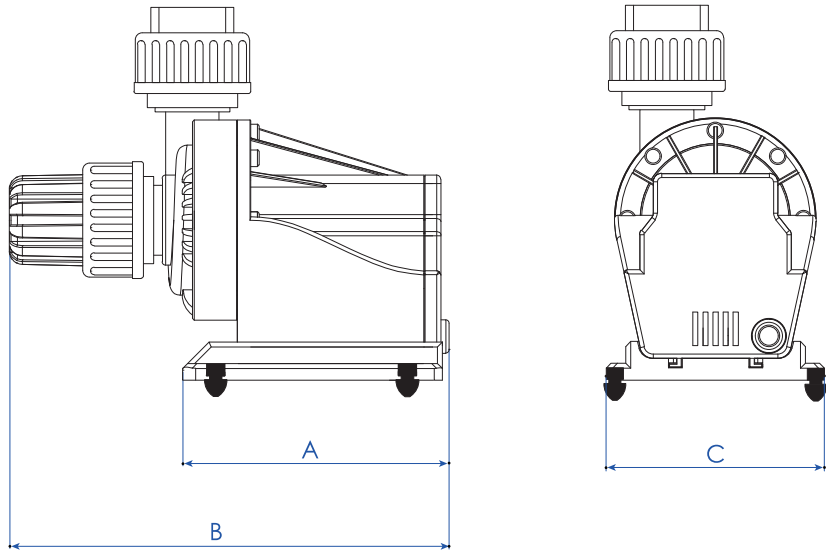
					型号
1	1	1	1	1	HY-1000S
1	1	1	1	1	HY-2000S
1	1	1	1	1	HY-5000S
1	1	1	1	2	HY-10000S

- 循环泵配件包

									型号
2	2	2	2	1	2			4	HY-1000W
2	2	2	2	1	2			4	HY-2000W
2	2	2	2	1	2			4	HY-3000W
2	2	2	2	1	2			4	HY-4000W
			2	1	2	2	2	4	HY-5000W
			2	1	2	2	2	4	HY-7000W
			1	1	2	2	2	4	HY-10000W
			1	1	2	2	2	4	HY-12500W
			1	1	2	2	2	4	HY-16000W

* 以上配件按照样式/名称划分, 不以尺寸划分(型号不同的泵, 配件尺寸是不同的)。

尺寸



型号	进水口		出水口		A		B		C	
	mm	inch	mm	inch	mm	inch	mm	inch	mm	inch
HY-1000W	25	3/4	20	1/2	115	4.5	175	6.9	90	3.6
HY-2000W	25	3/4	20	1/2	115	4.5	175	6.9	90	3.6
HY-3000W	32	1	25	3/4	145	5.7	200	7.9	105	4.2
HY-4000W	32	1	25	3/4	145	5.7	200	7.9	105	4.4
HY-5000W	40	1-1/4	32	1	145	5.7	235	9.3	110	4.4
HY-7000W	40	1-1/4	32	1	145	5.7	235	9.3	110	4.4
HY-10000W	40	1-1/4	32	1	165	6.5	255	10.0	130	5.2
HY-12500W	40	1-1/4	40	1-1/4	165	6.5	255	10.0	130	5.2
HY-16000W	40	1-1/4	40	1-1/4	165	6.5	255	10.0	130	5.2

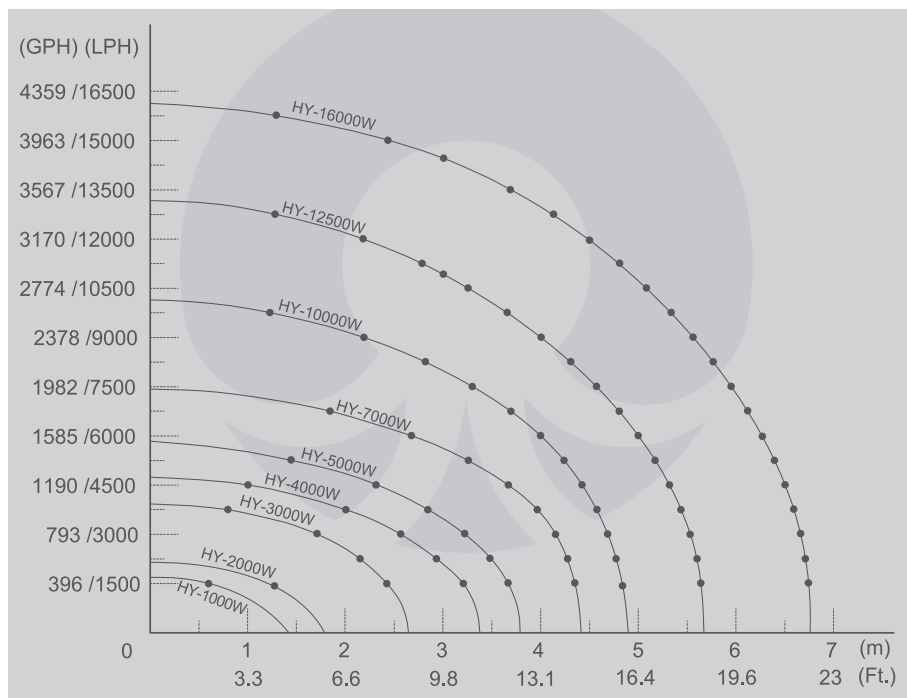
● 蛋分泵参数

型号	电压/赫兹	功率	气量		流量	
	V/HZ		W	LPH	GPH	LPH
HY-1000S	220-240/50	15	540	143	520	137
	120/60	20	644	170	568	150
HY-2000S	220-240/50	25	960	253	900	238
	120/60	30	1022	270	946	250
HY-3000S	220-240/50	30	1100	290	1550	409
	120/60	35	1136	300	1609	425
HY-5000S	220-240/50	40	2100	554	1700	449
	120/60	55	2385	630	1817	480
HY-10000S	220-240/50	100	4000	1056	3200	845
	120/60	125	4542	1200	3293	870

● 循环泵参数

型号	电压/赫兹	功率	扬程		流量	
	V/HZ		W	m	Ft.	LPH
HY-1000W	220-240/50	13	1.4	4.6	1600	422
	120/60	13	1.4	4.6	1666	440
HY-2000W	220-240/50	18	1.8	6.0	2000	528
	120/60	18	1.8	6.0	2101	555
HY-3000W	220-240/50	30	2.3	7.5	3400	898
	120/60	35	2.6	8.5	3483	920
HY-4000W	220-240/50	40	2.7	8.9	4200	1109
	120/60	45	2.9	9.5	4599	1215
HY-5000W	220-240/50	55	3.3	10.8	5200	1373
	120/60	60	3.4	11.0	5489	1450
HY-7000W	220-240/50	70	3.6	11.8	6900	1822
	120/60	80	4.3	14.0	7382	1950
HY-10000W	220-240/50	95	4.3	14.0	10000	2640
	120/60	120	4.9	16.0	10221	2700
HY-12500W	220-240/50	165	4.8	15.7	12500	3300
	120/60	175	5.6	18.5	12492	3300
HY-16000W	220-240/50	200	5.1	16.7	15000	3960
	120/60	250	6.7	22.0	15596	4120

扬程流量曲线图



维护与保养

- 为了你与设备的安全, 在使用本产品时, 需使用在有接地装置的断路器开关上。
- 在维护水泵时请先从主电源上断开电源线。
- 插头潮湿及手上潮湿时请不要将插头接入主电源防止发生漏电危险。
- 电源线开裂时请不要使用水泵, 不要私自更换电源线; 请及时联系售后。
- 泵身微微发热属于正常现象。

使用环境

- 产品适用于水温0-35°C。
- 产品避免安装在阳光直照的环境中, (会加速老化)。

常见故障/处理

故障表现	故障原因	处理办法
水泵异响	泵头内吸入异物;	1.断开电源; 2.拆开泵头,清理异物;
水泵无法启动	1.水泵吸入异物导致叶轮卡住; 2.转子轴与轴套结死;	拆开泵头检查叶轮及转子;
水泵接入电源跳闸	水泵漏电;	断开电源,联系售后;
循环泵水量变小或无水	1.进水口被遮挡; 2.水泵进水口没有完全淹没在水下;	检查水位或进水口;
蛋分泵气量变小	1.进气管遮挡; 2.加气件内部堵死; 3.叶轮脱落; 4.消声器进气堵死;	检查进气管与加气件是否堵塞;针刷是否脱落;
水泵抖动运转异常	1.电压及频率错误; 2.电压不稳定,启动异常;	1.核对泵标签的电压频率; 2.待电压稳定后再启动水泵;

Notes
